

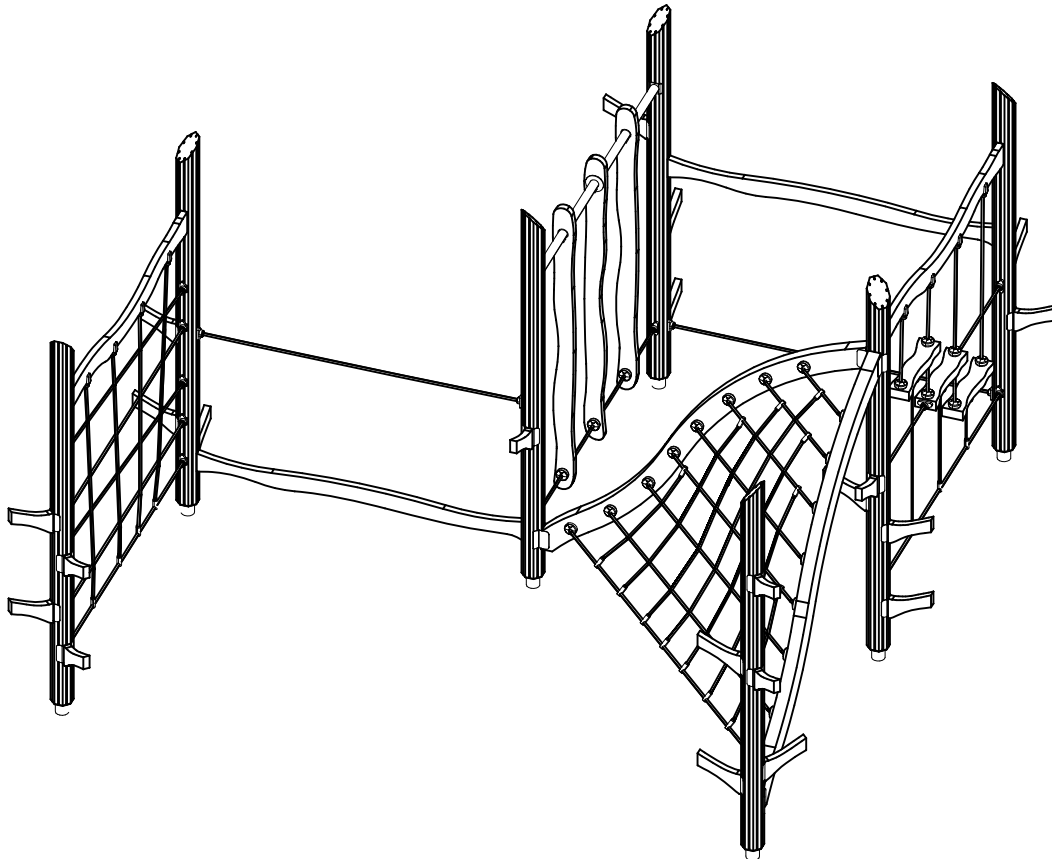
LAPPSET®

FLORA

ASENNUSOHJE
MONTERINGSANSVISNING
INSTALLATION INSTRUCTION
AUFBAUANLEITUNG
NOTICE D'INSTALLATION

DATE: 13.6.2016

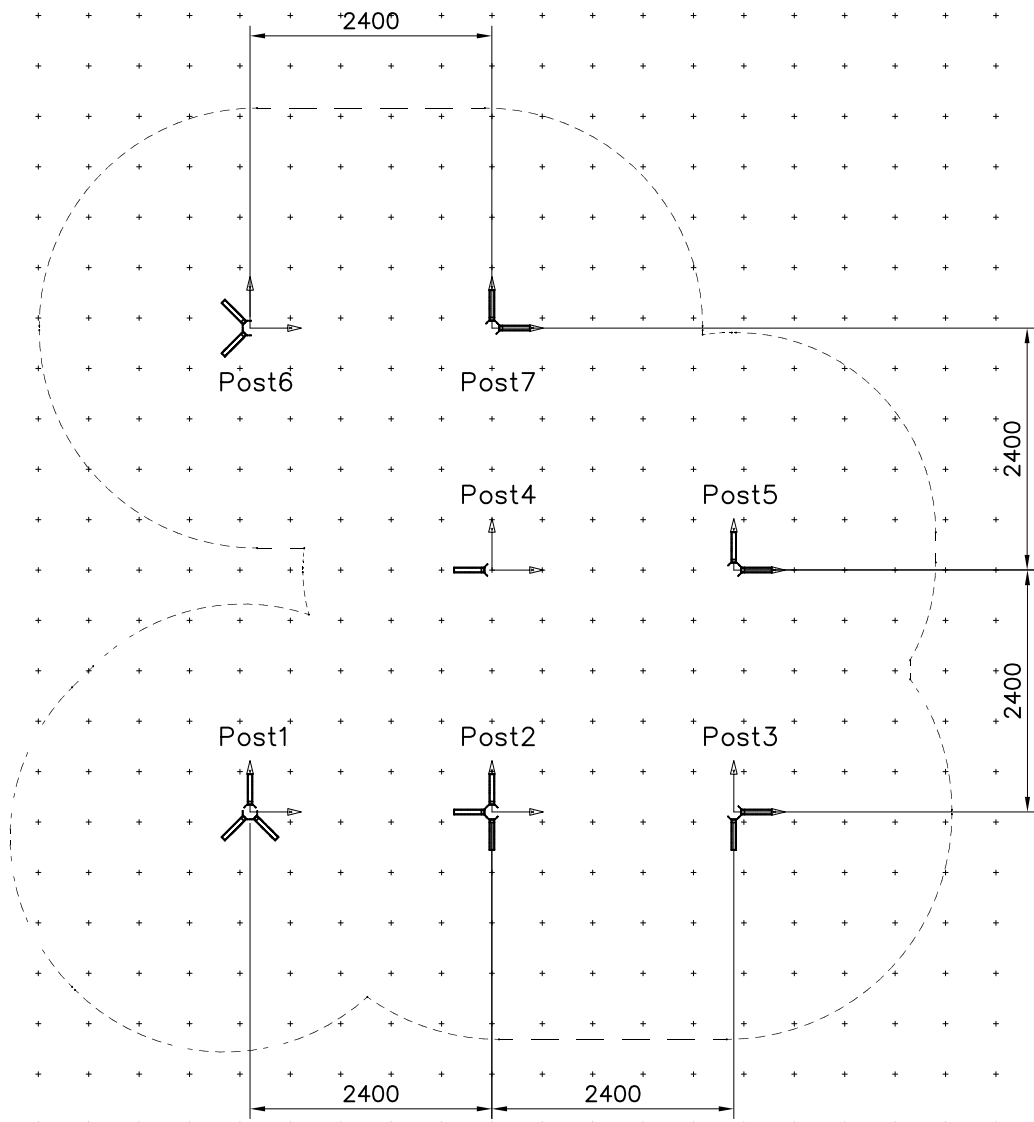
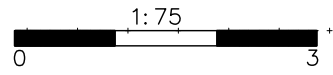
175595

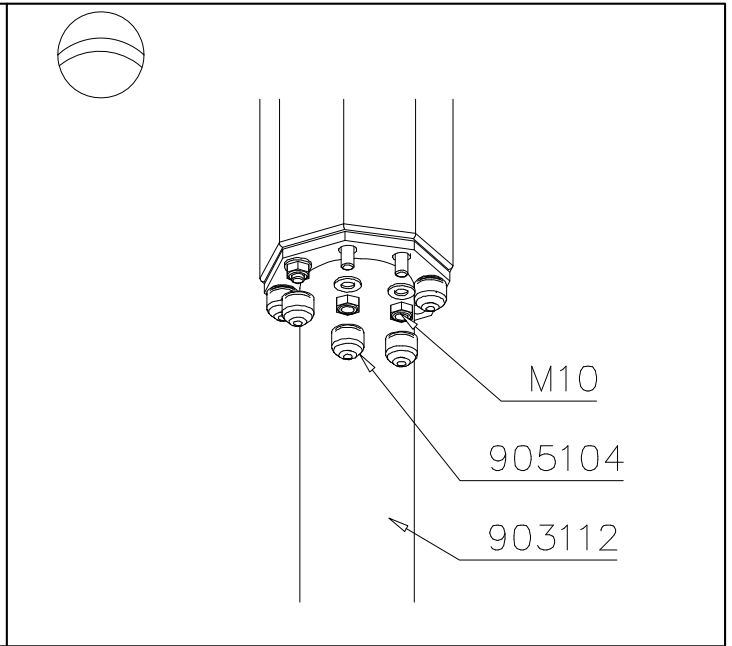
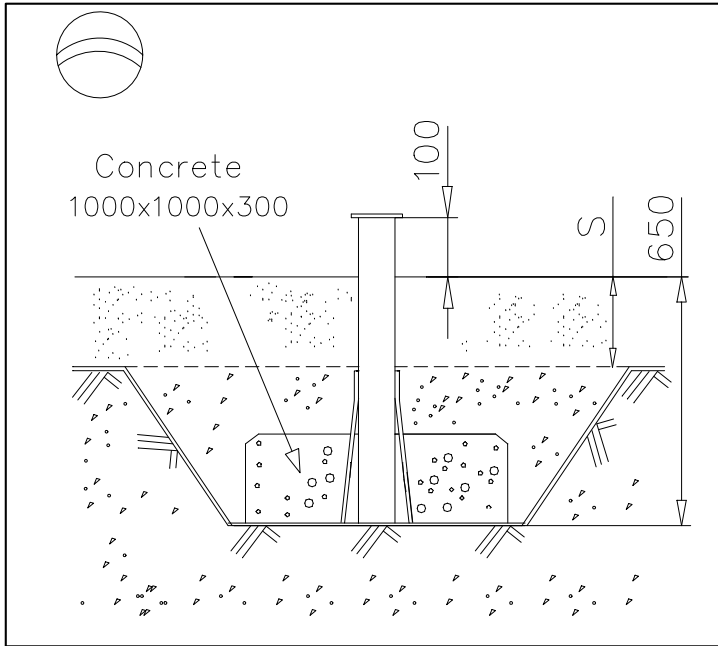


DATE: 13.6.2016

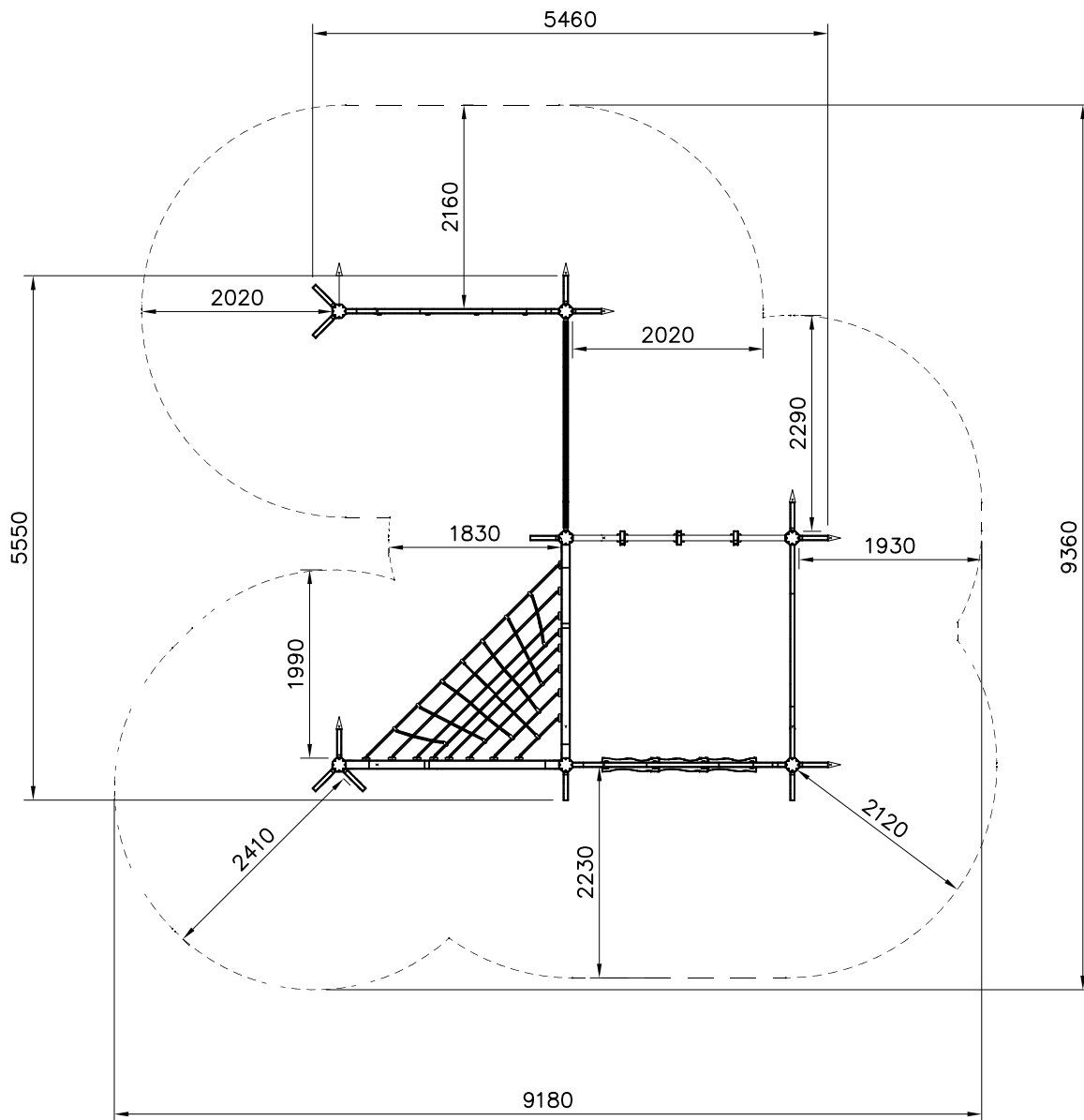
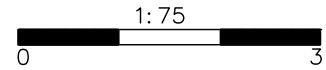
702286 90x50	PCS 1	702339 90x50	PCS 1	705431 90x50	PCS 2	705789 l=333	PCS 22	705796 l=2900	PCS 7	705804 45x145x2280	PCS 2
705808 Ø16x2273	PCS 2	705917 Ø8x90	PCS 1	705927 l=750	PCS 1	705932 M10	PCS 1	705951 Ø3.5x13	PCS 1	900240 Ø8x70	PCS 184
902487 65x65	PCS 2	903093 Ø8x90	PCS 16	903112 l=750	PCS 7	905104 M10	PCS 56	909506 Ø3.5x13	PCS 8		PCS
	PCS		PCS		PCS		PCS		PCS		PCS
	PCS		PCS		PCS		PCS		PCS		PCS
	PCS		PCS		PCS		PCS		PCS		PCS
	PCS		PCS		PCS		PCS		PCS		PCS

— EN/AS Impact Area 69.9 m²
Grid size = 500 mm
- - - Falling Space 69.9 m²

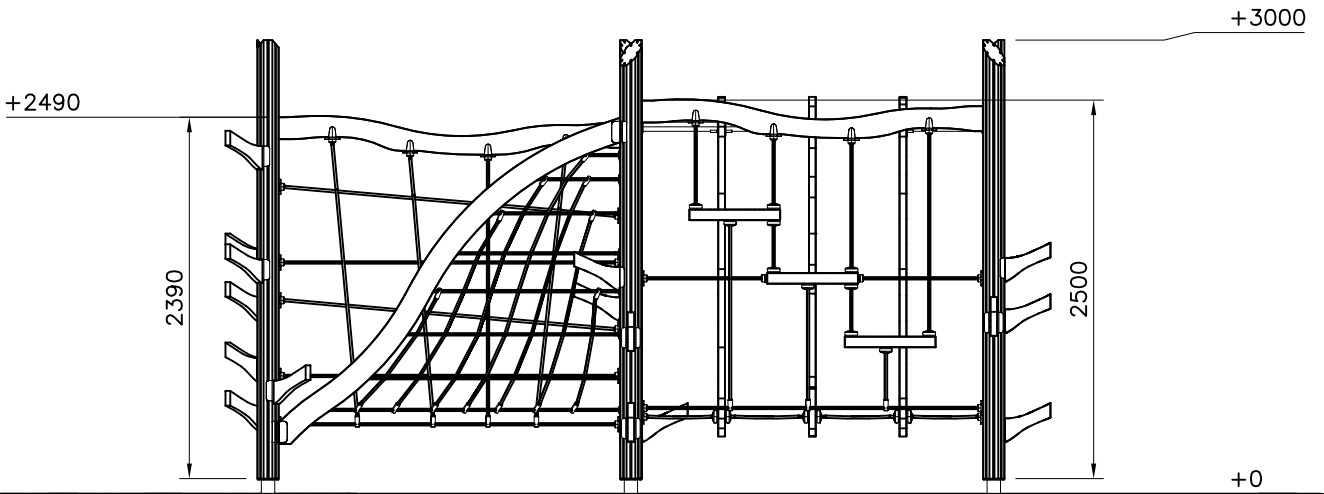




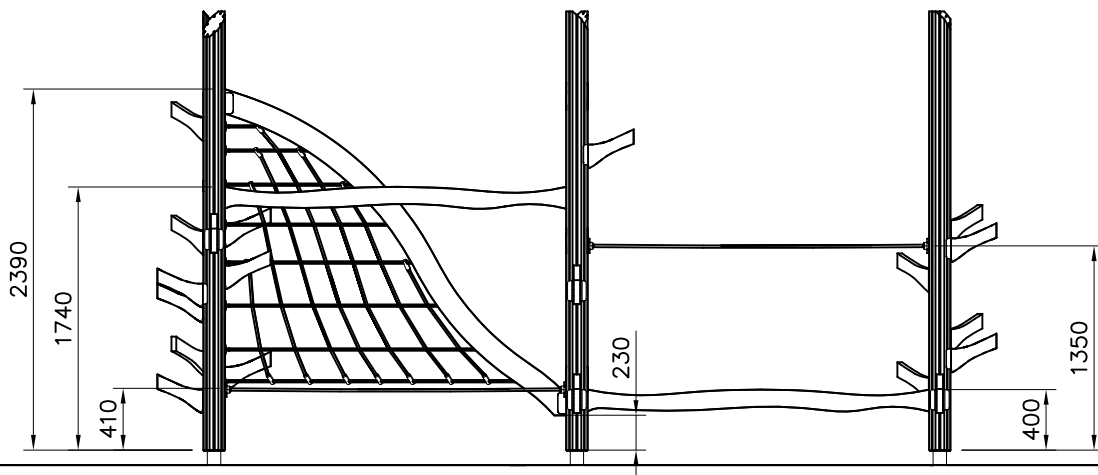
- EN/AS Impact Area 69.9 m²
- - - Falling Space 69.9 m²
Max Falling Height 2600 mm

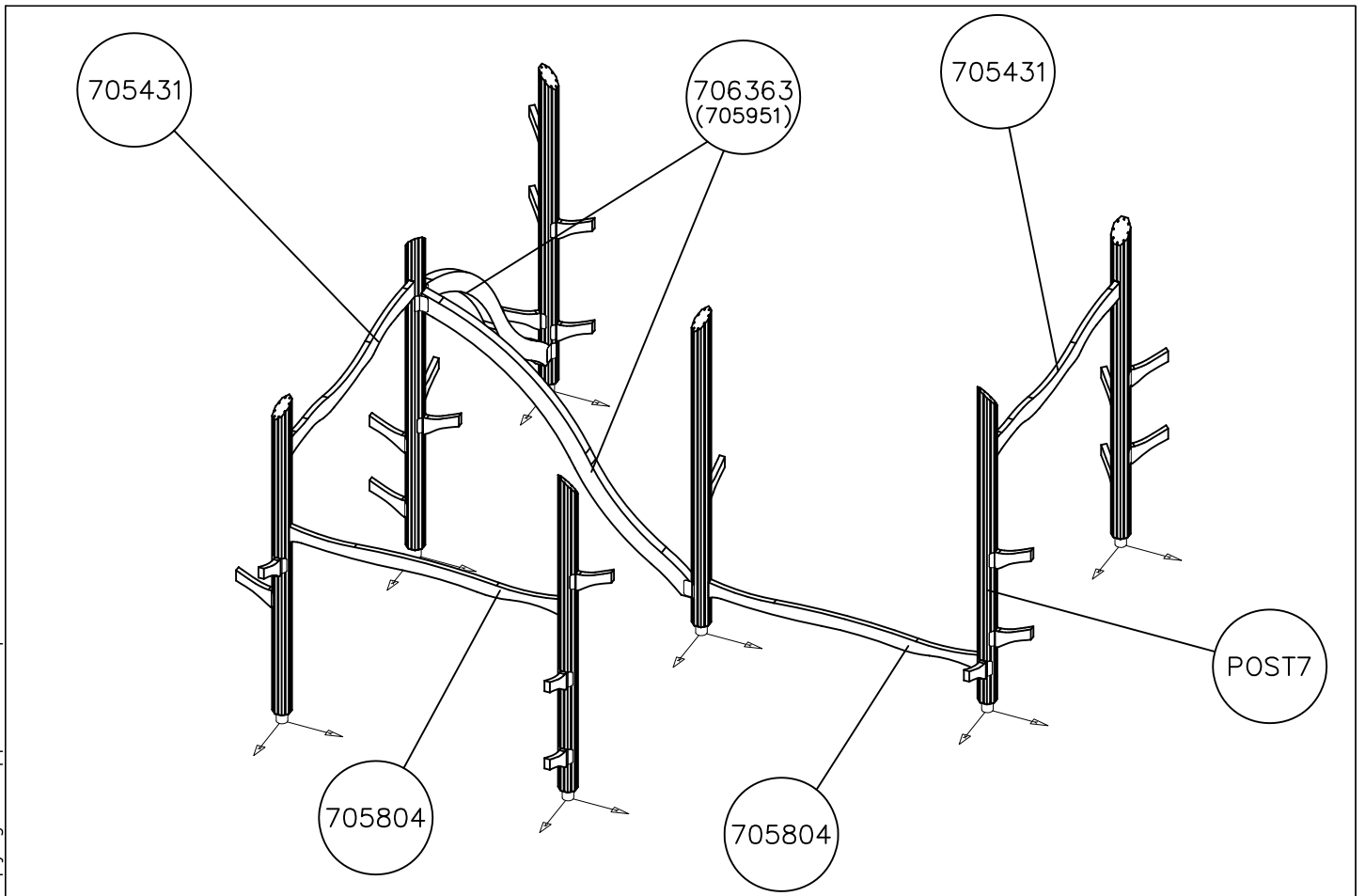
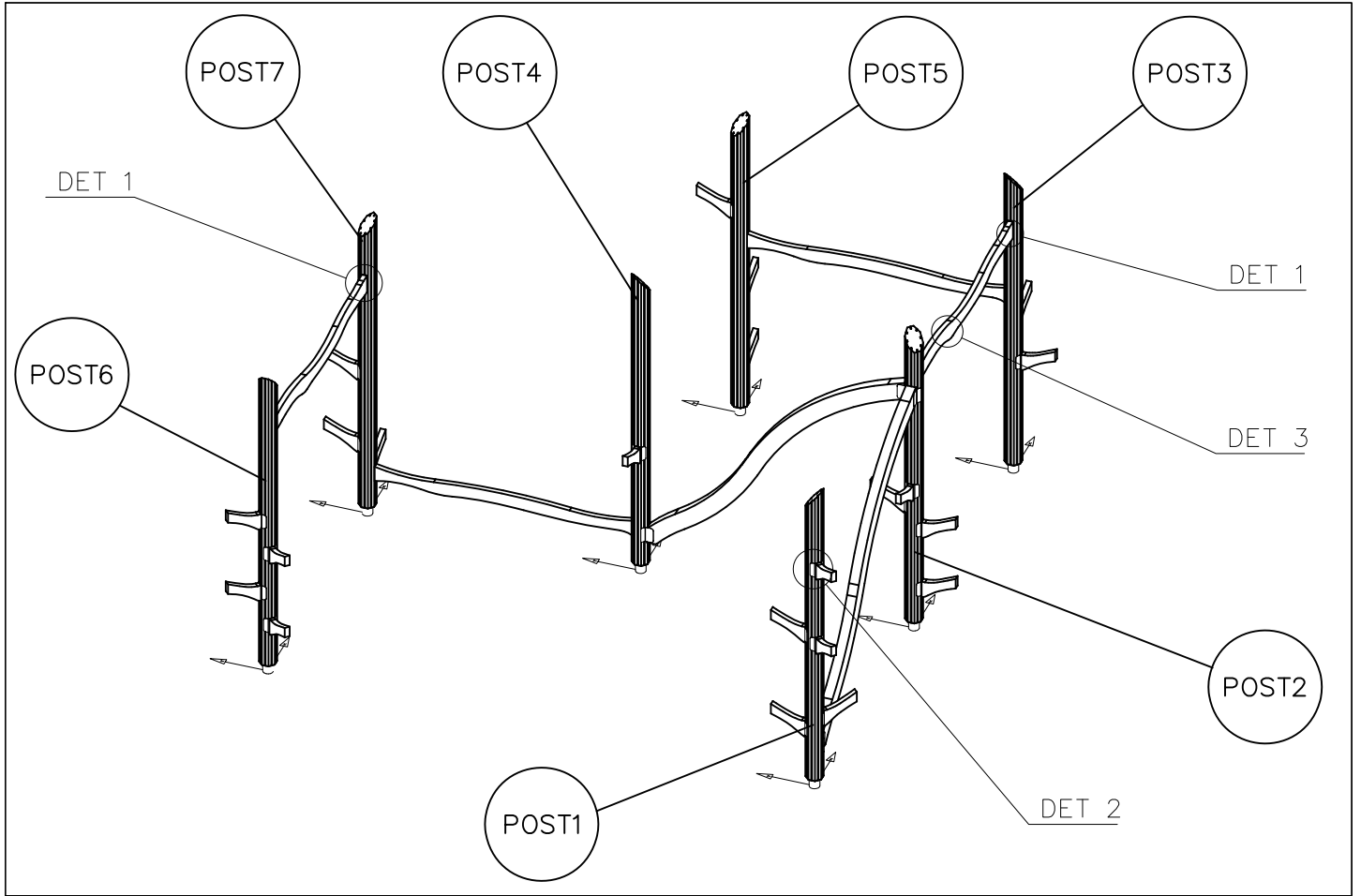


1:50

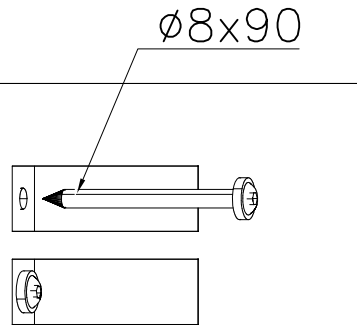


1:50

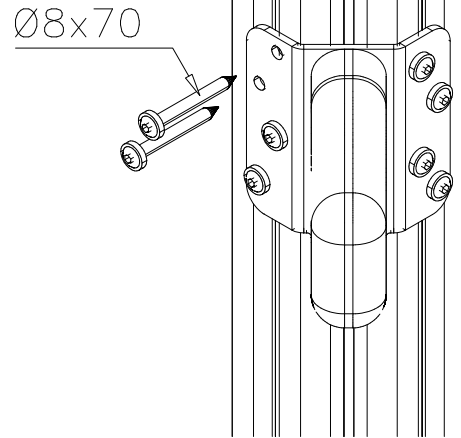




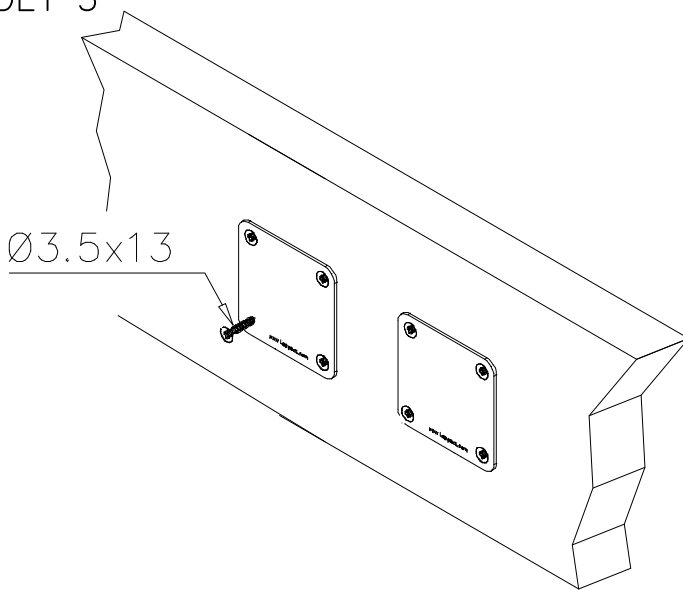
DET 1



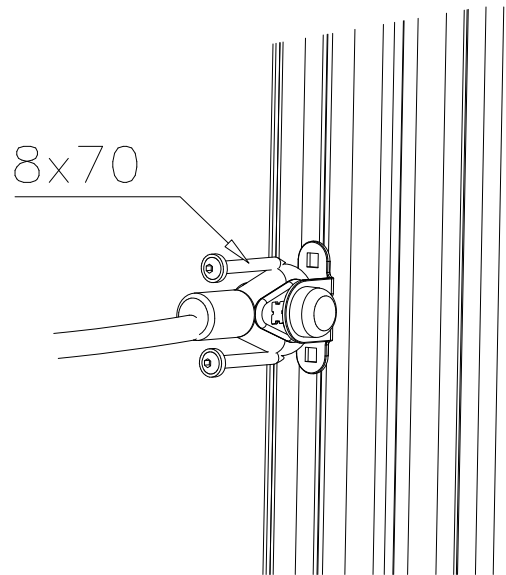
DET 2

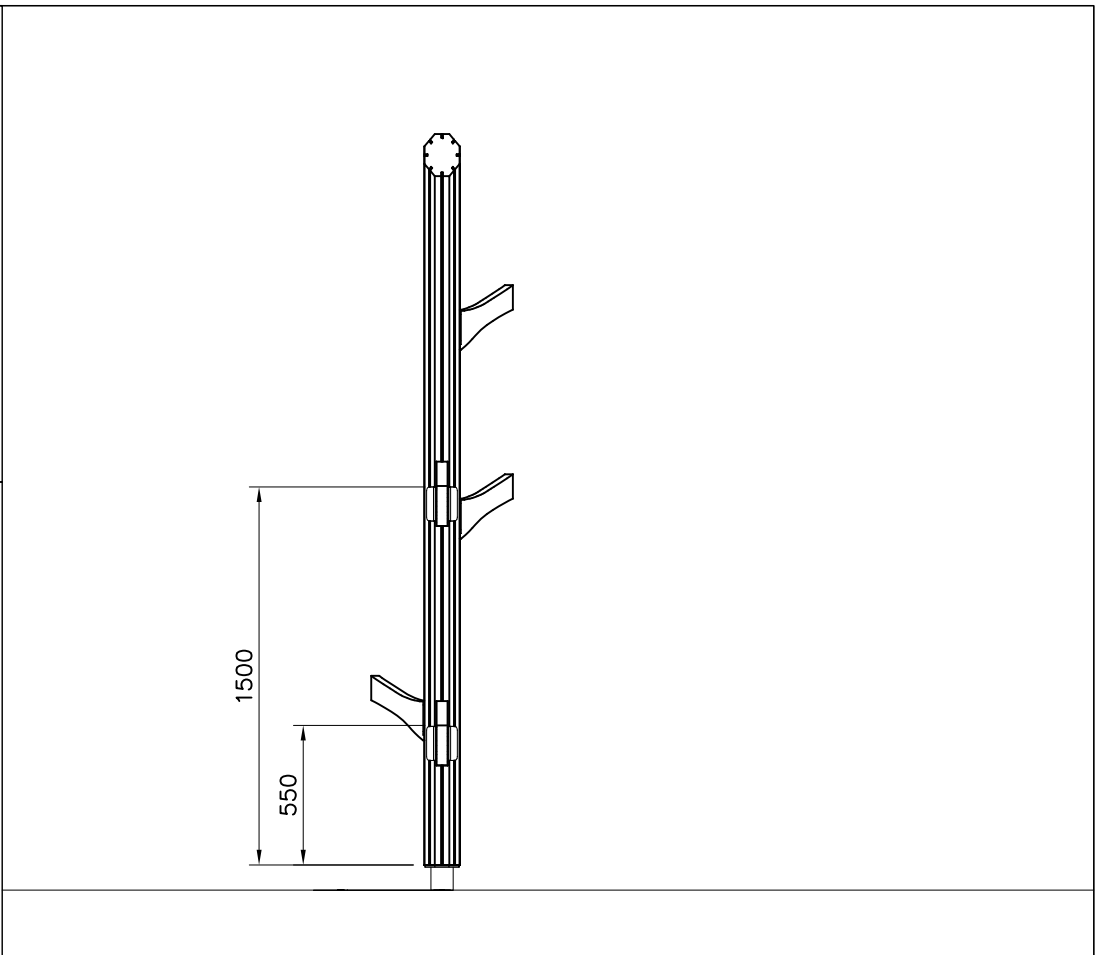
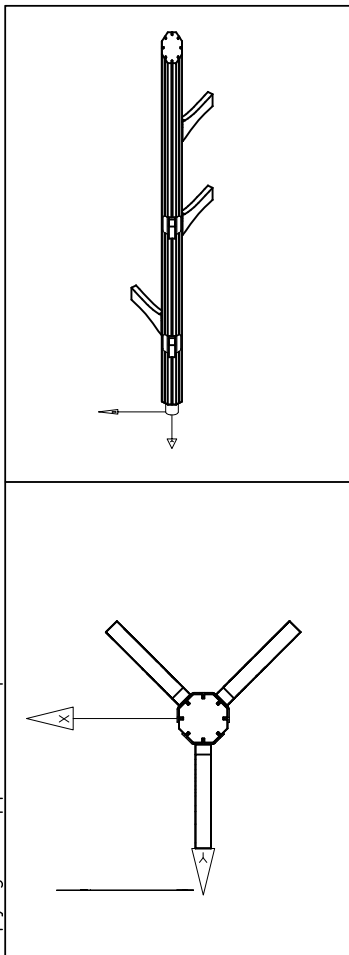
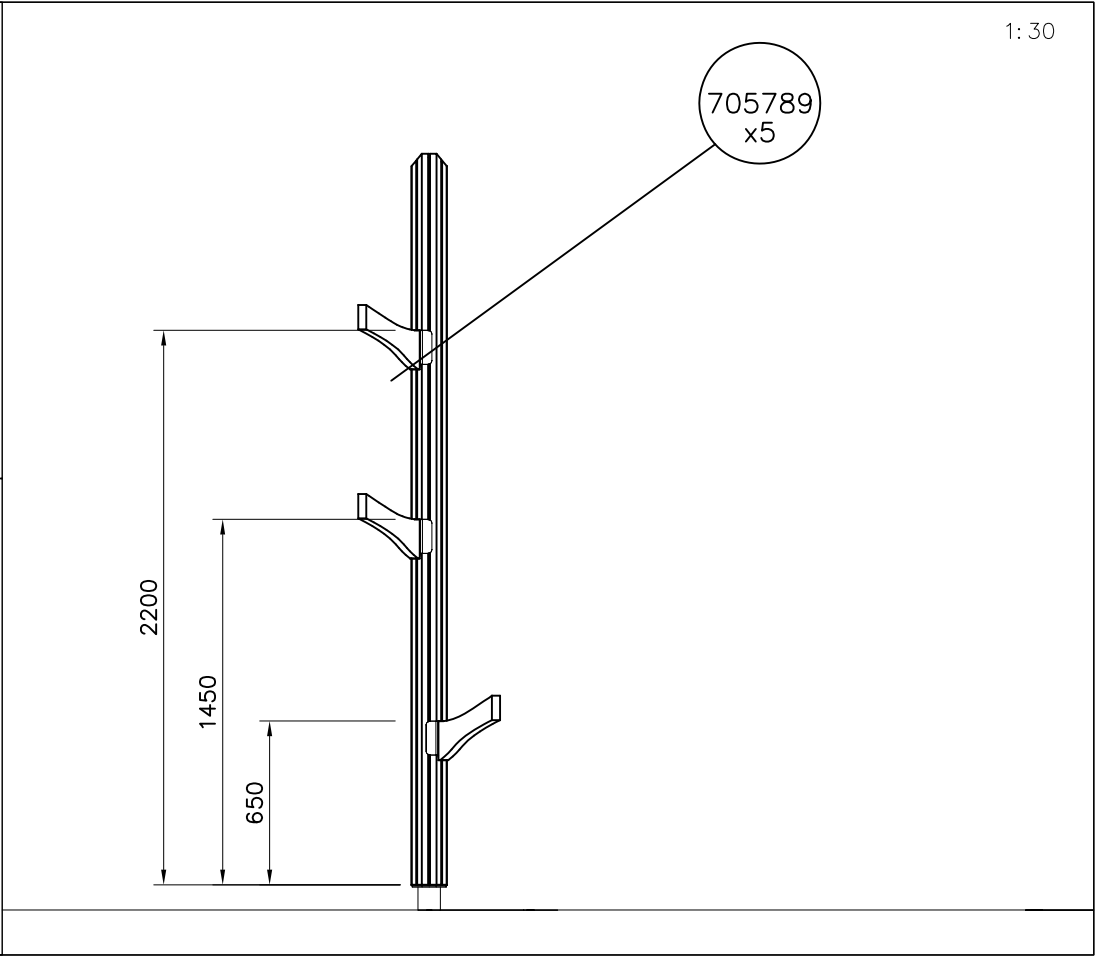
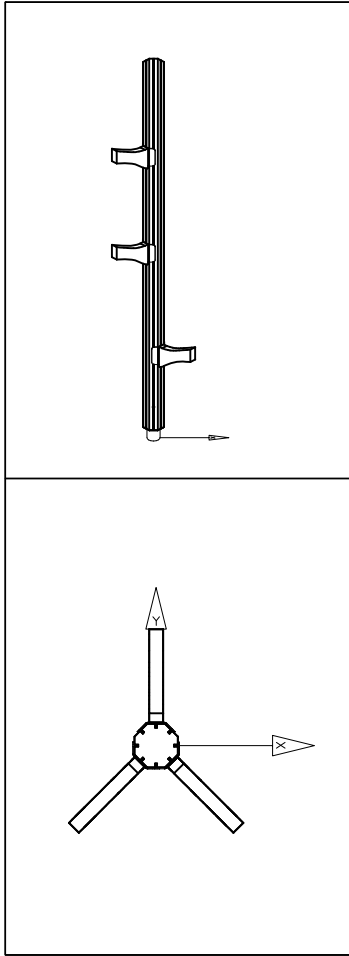


DET 3

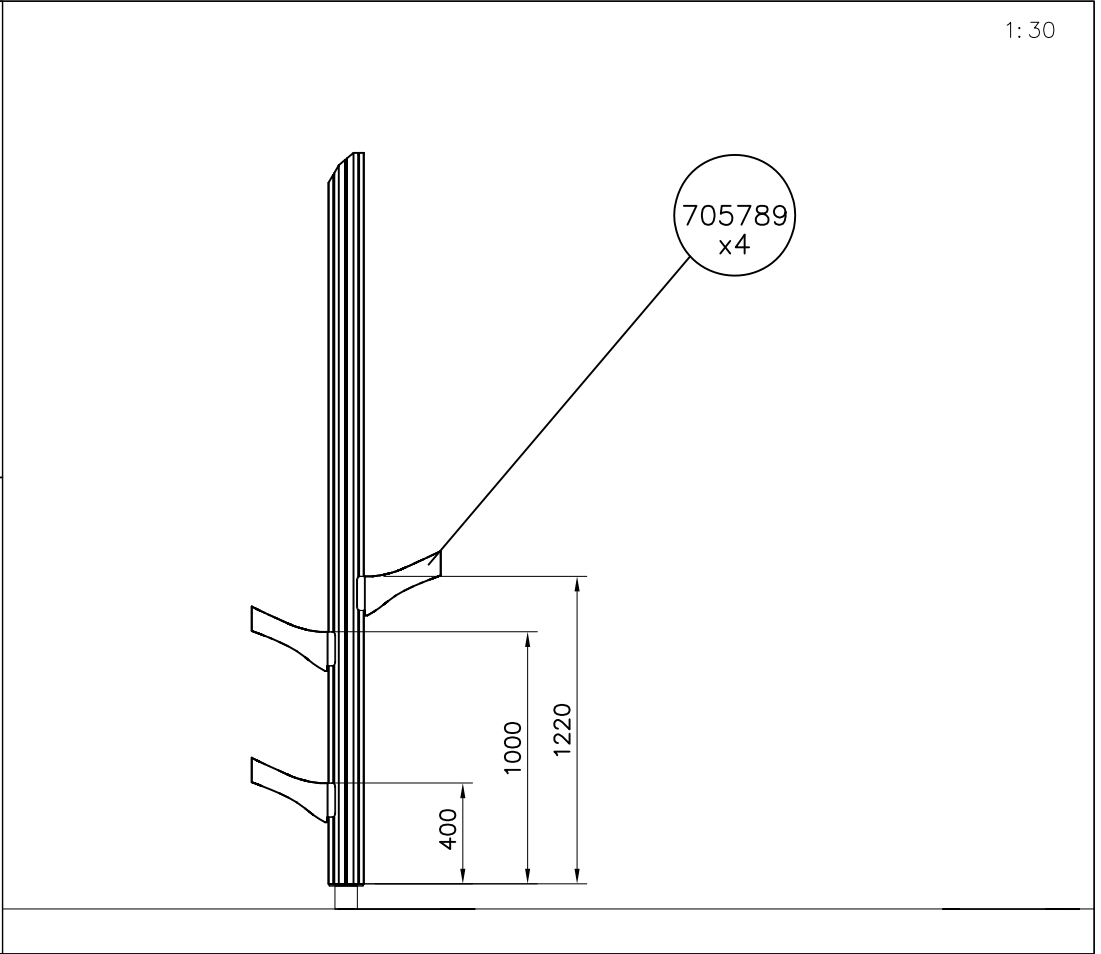
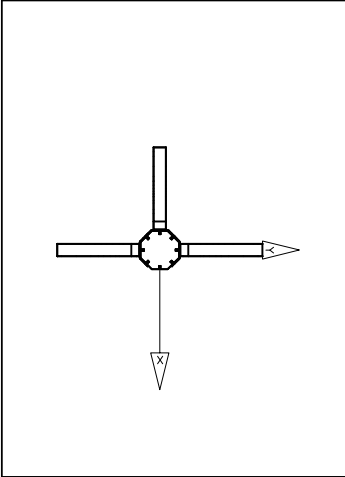
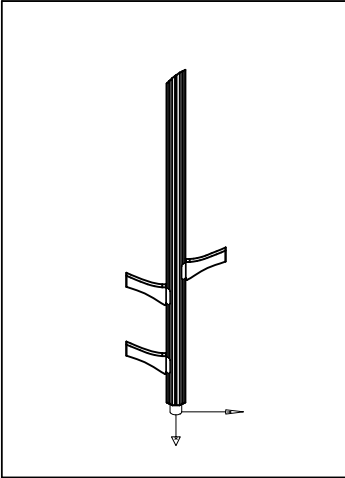


DET 4

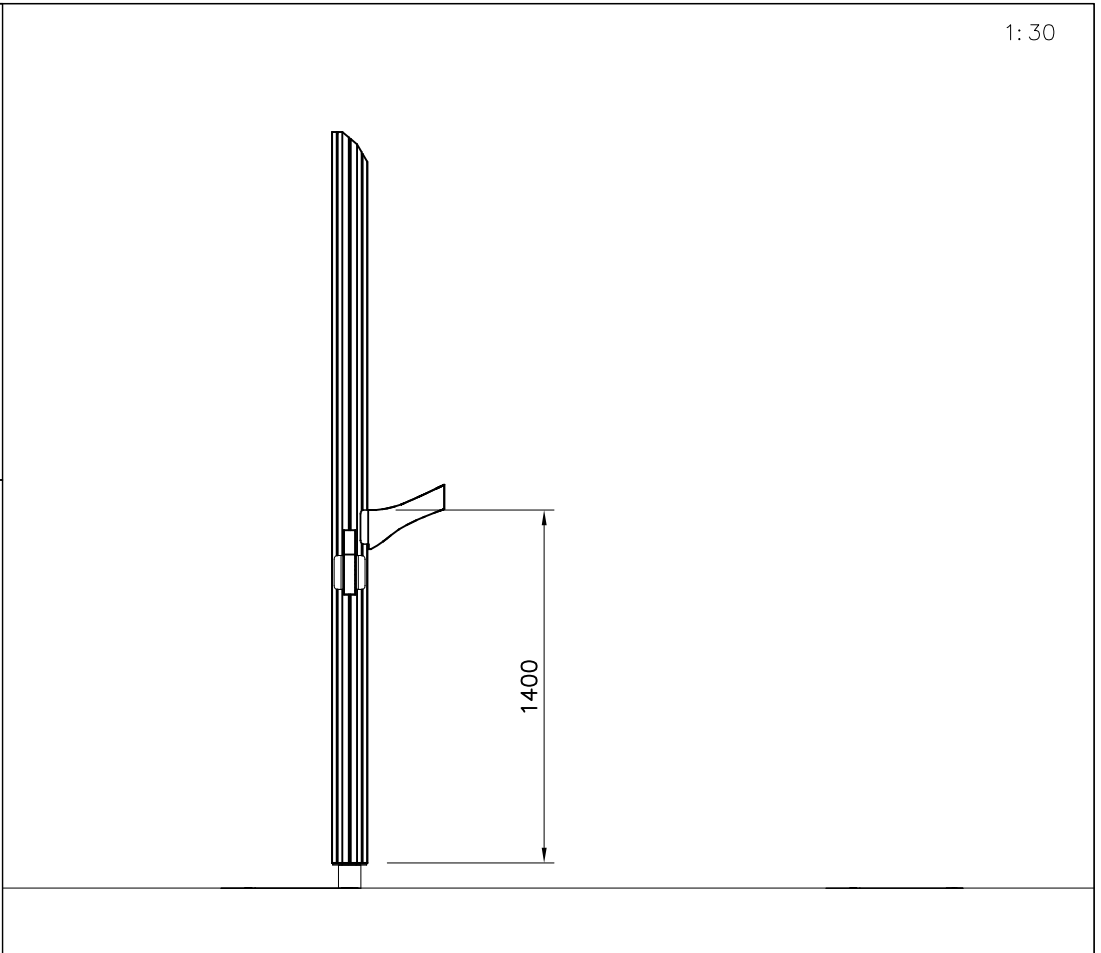
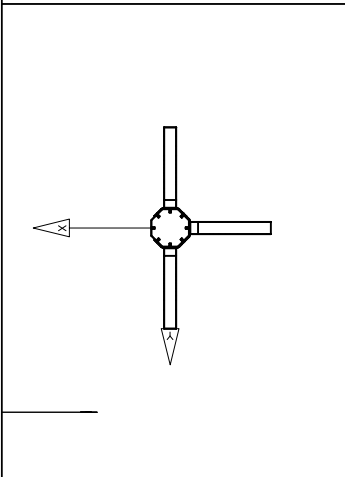
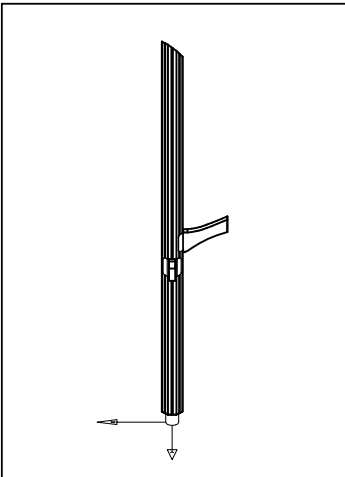




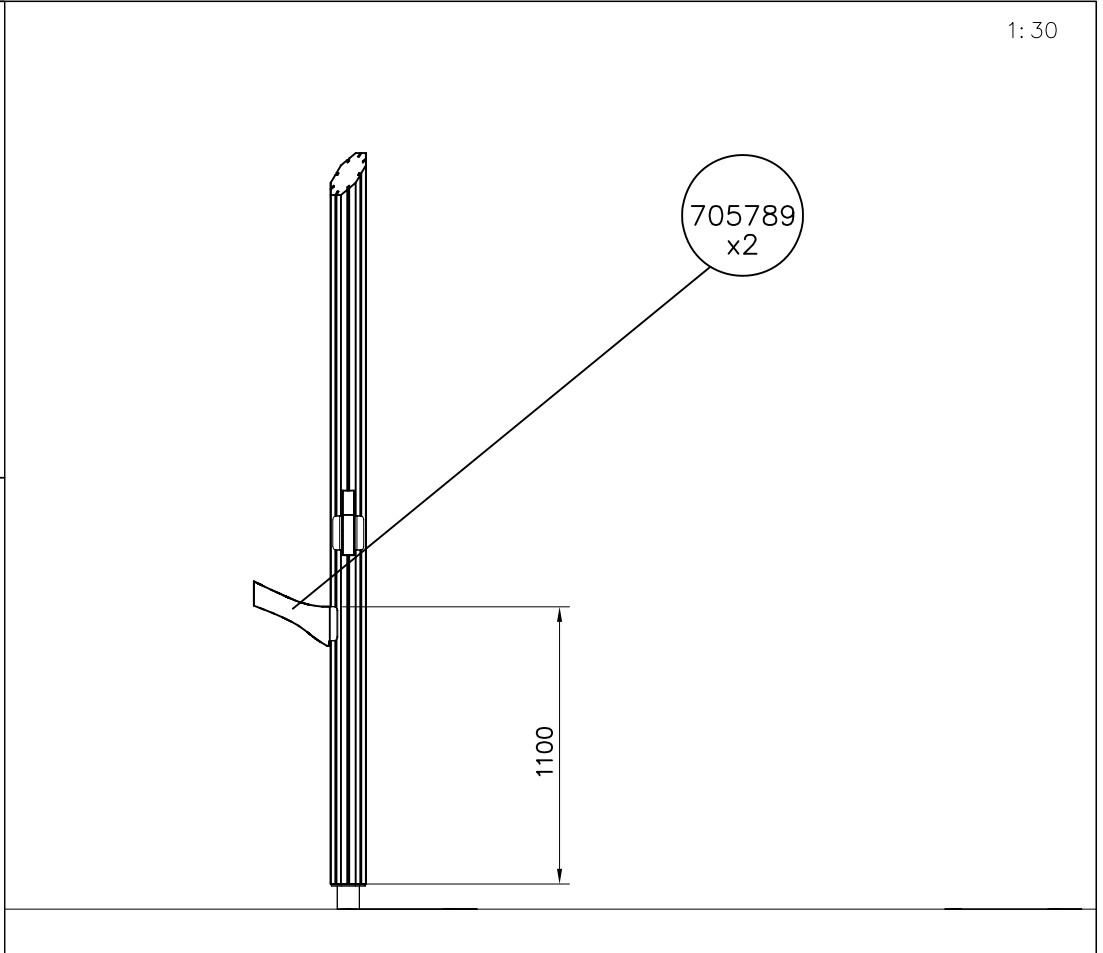
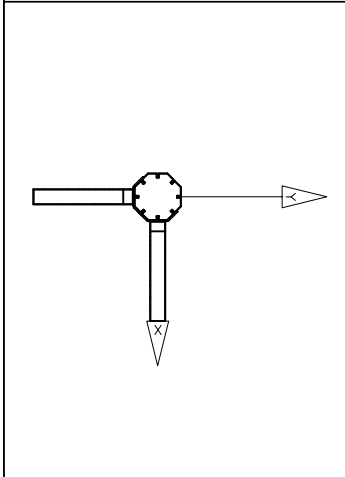
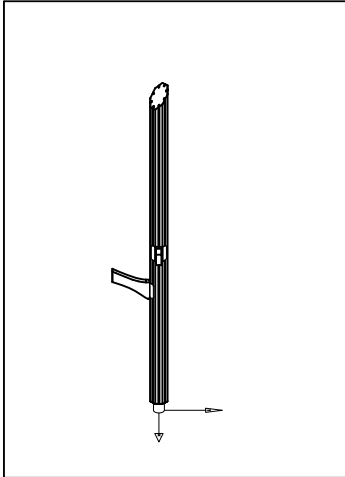
1:30



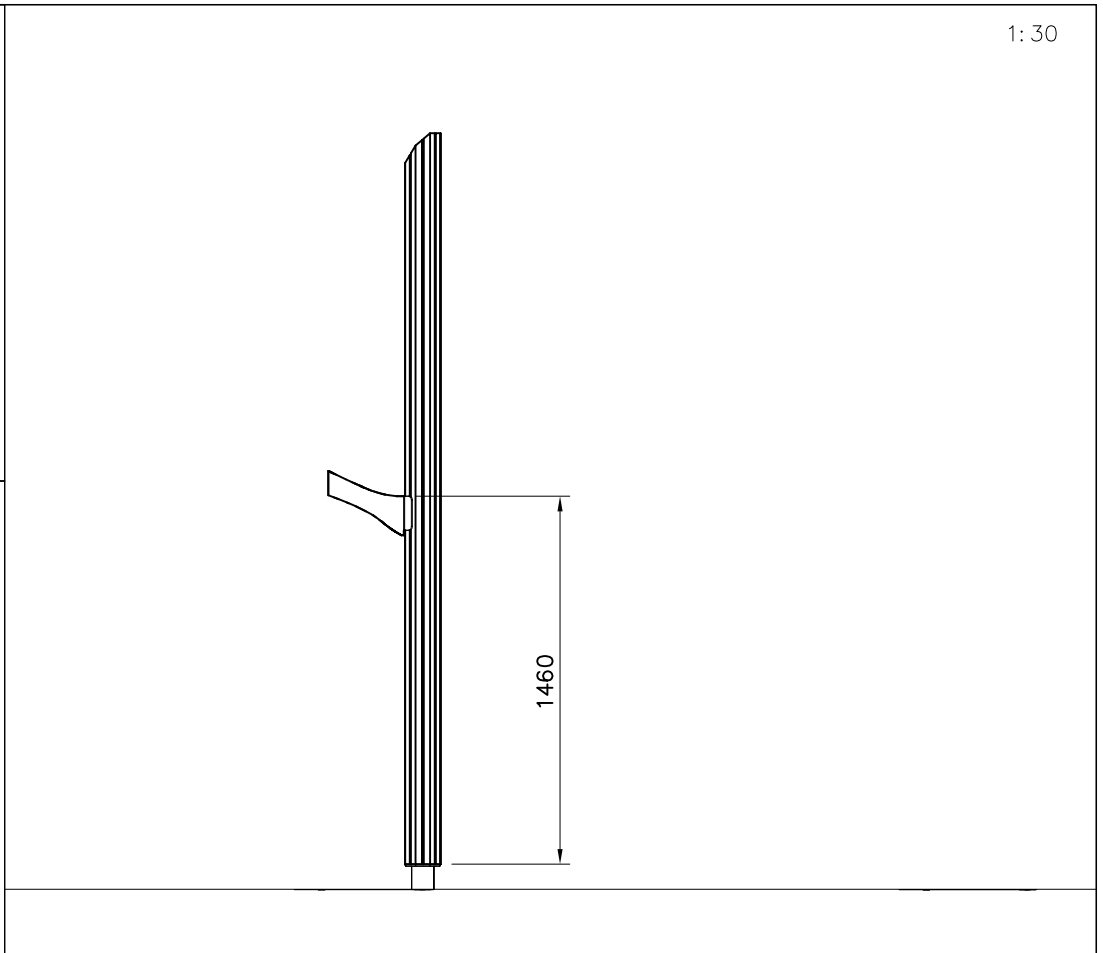
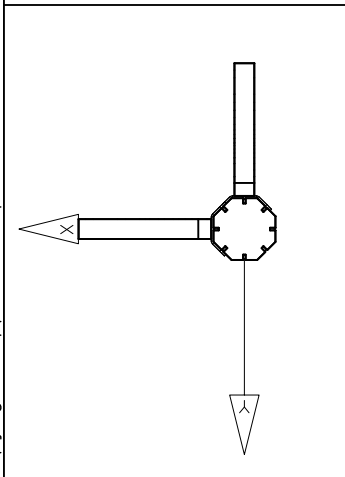
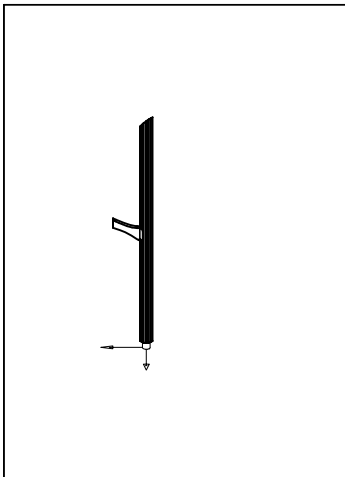
1:30



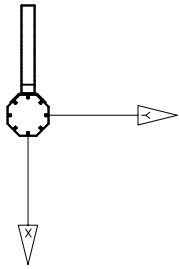
1:30



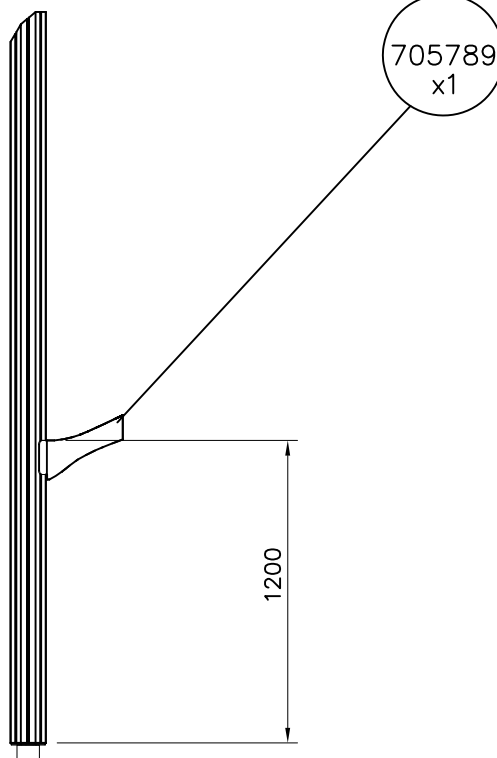
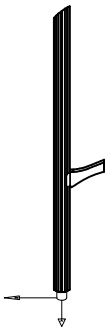
1:30



1:30



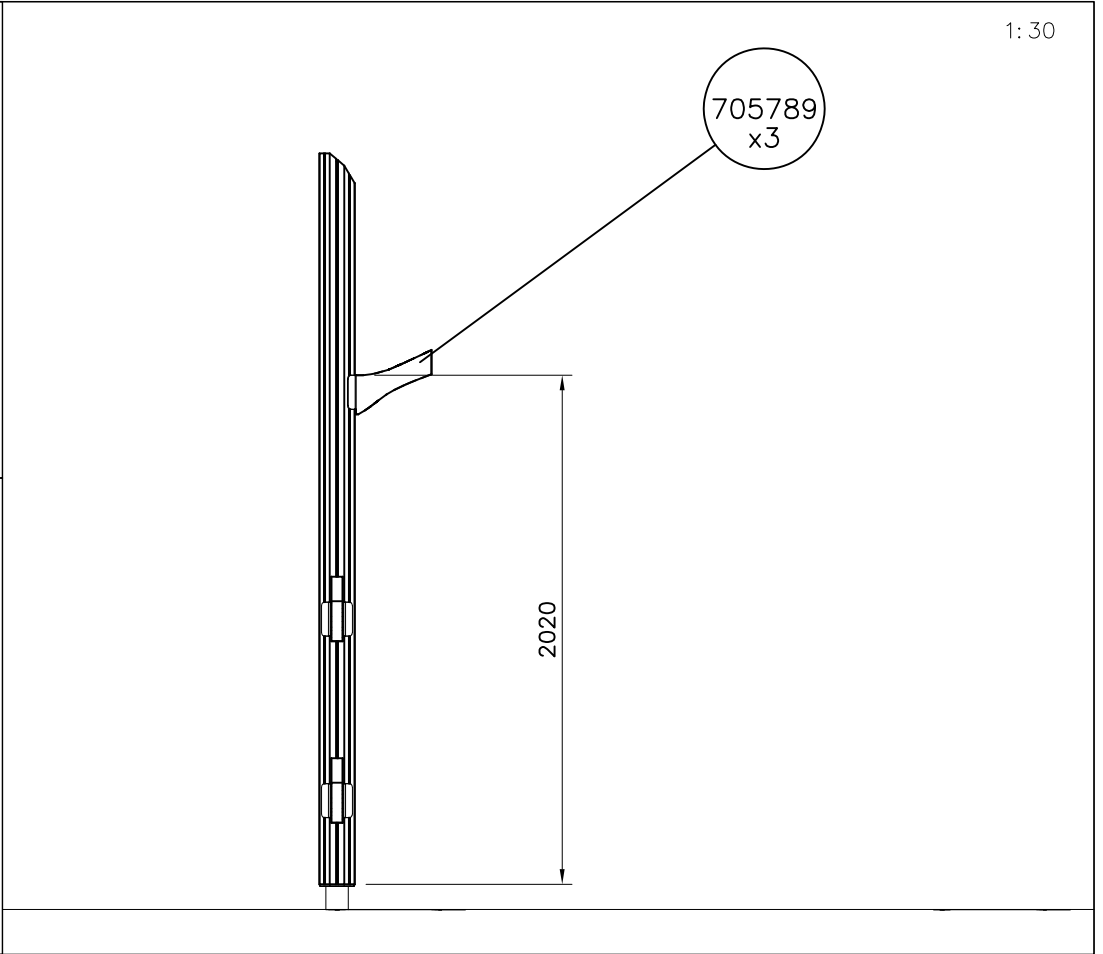
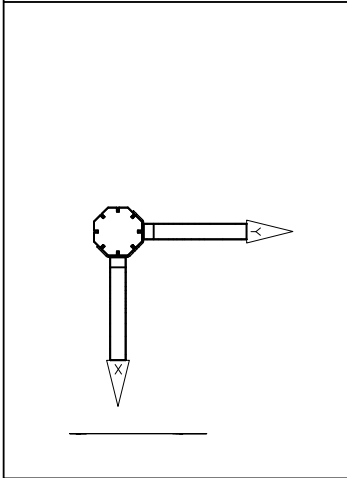
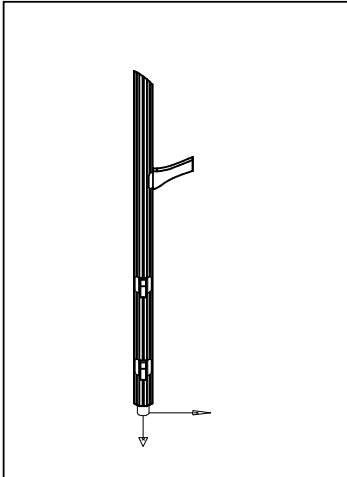
1:30



1200

705789
x1

1:30



1:30

