

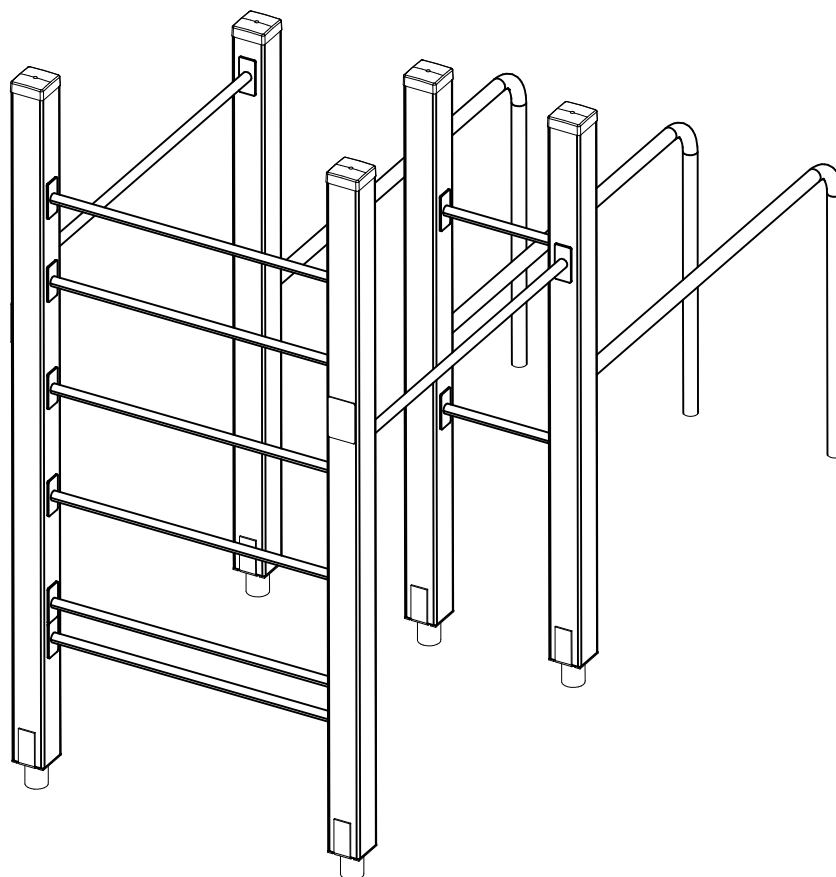
# **LAPPSET®**

## **SPORT**

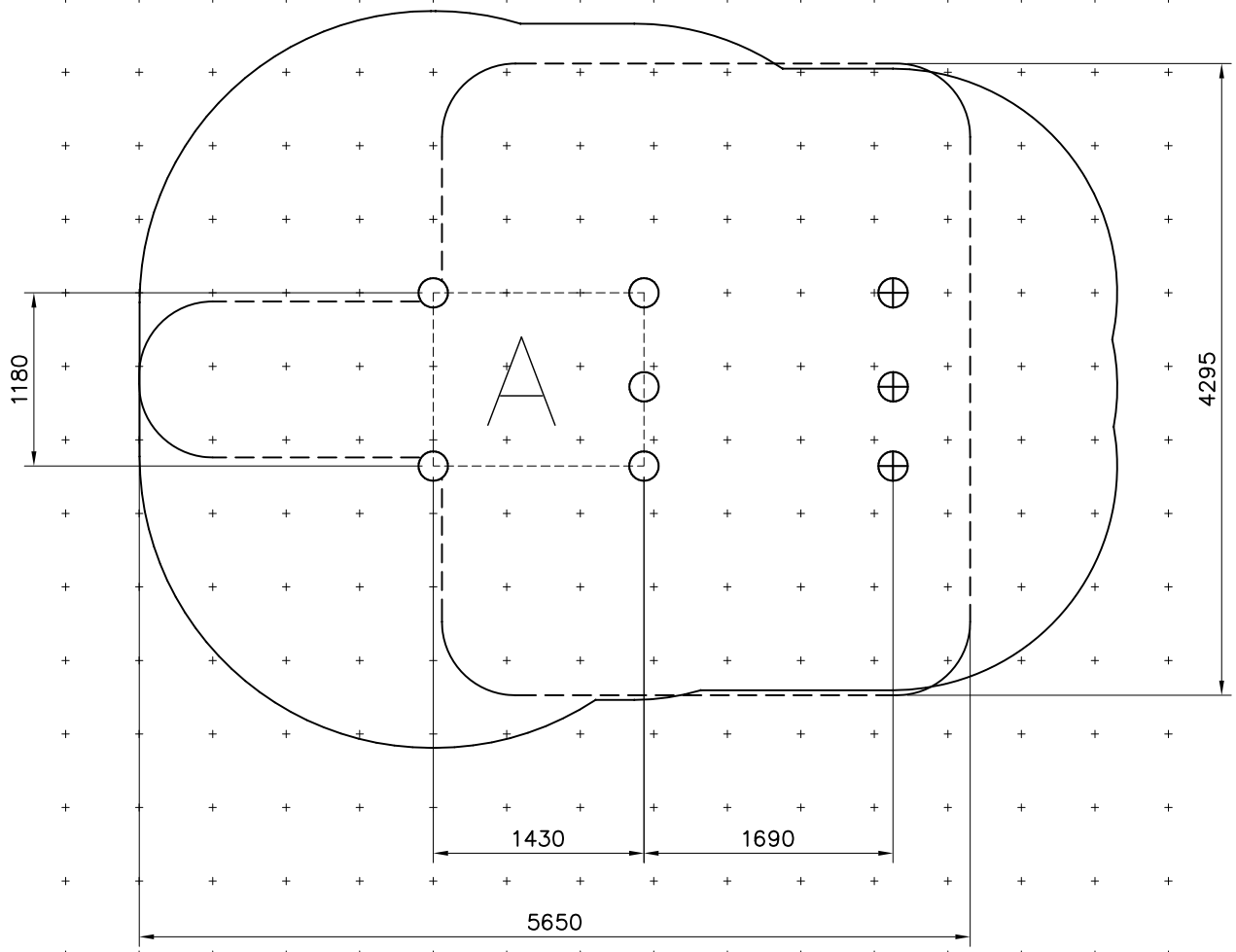
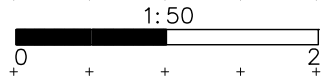
ASENNUSOHJE  
MONTERINGSANSVISNING  
INSTALLATION INSTRUCTION  
AUFBAUANLEITUNG  
NOTICE D'INSTALLATION

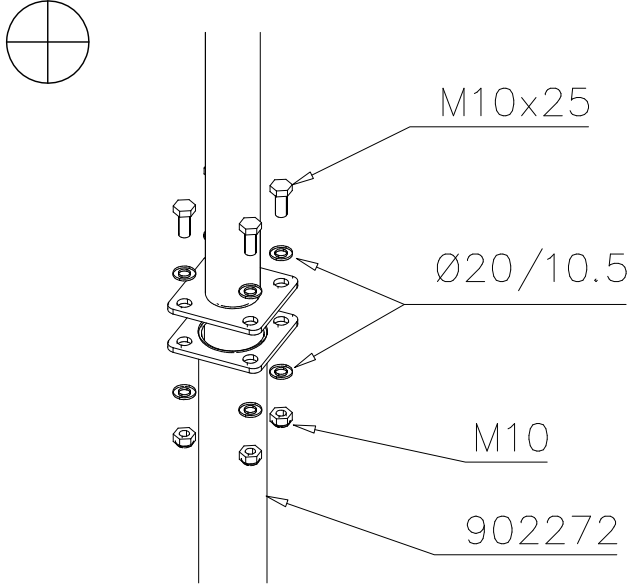
DATE: 23.5.2016

### **081650M**

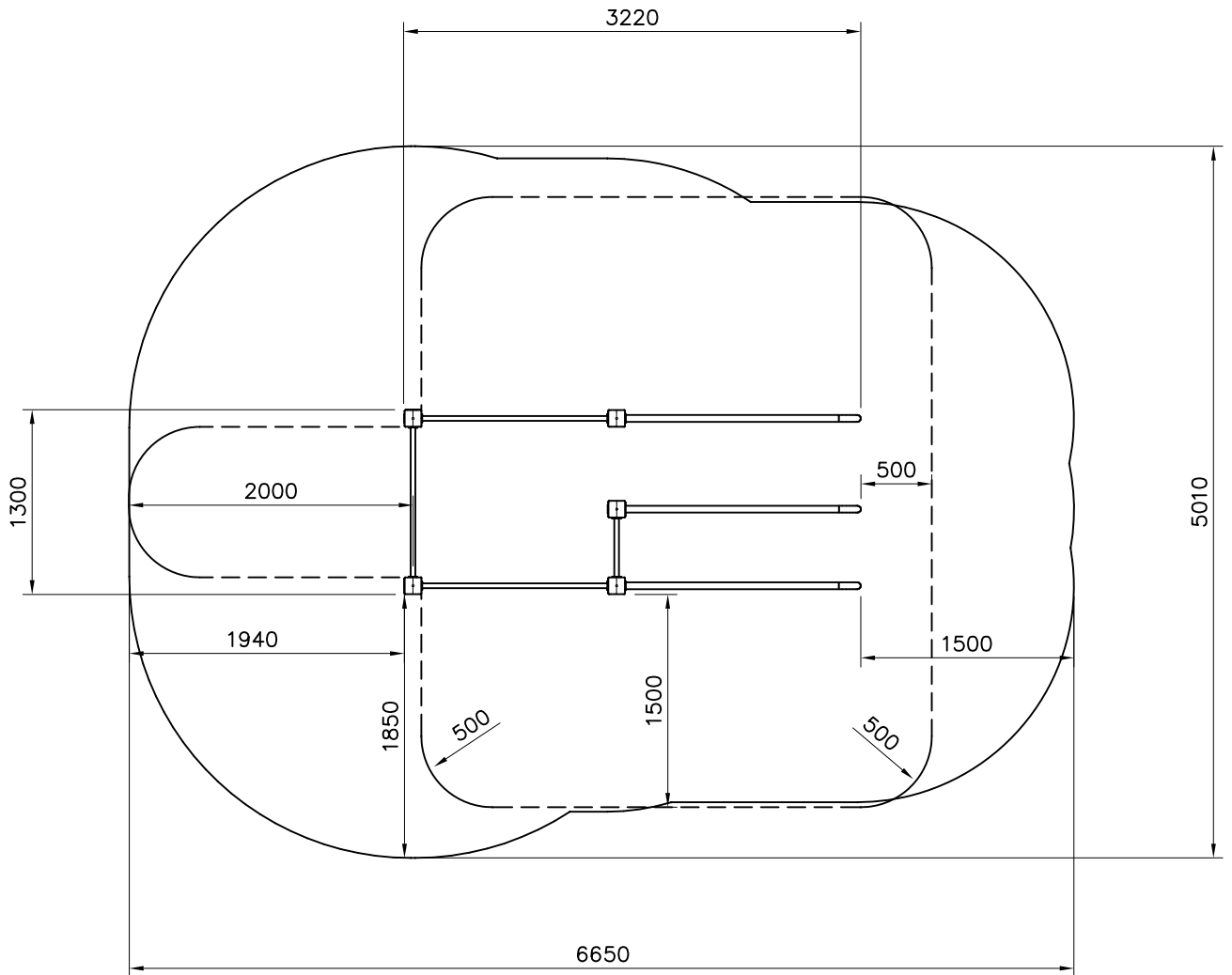
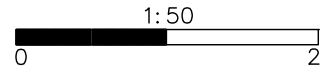


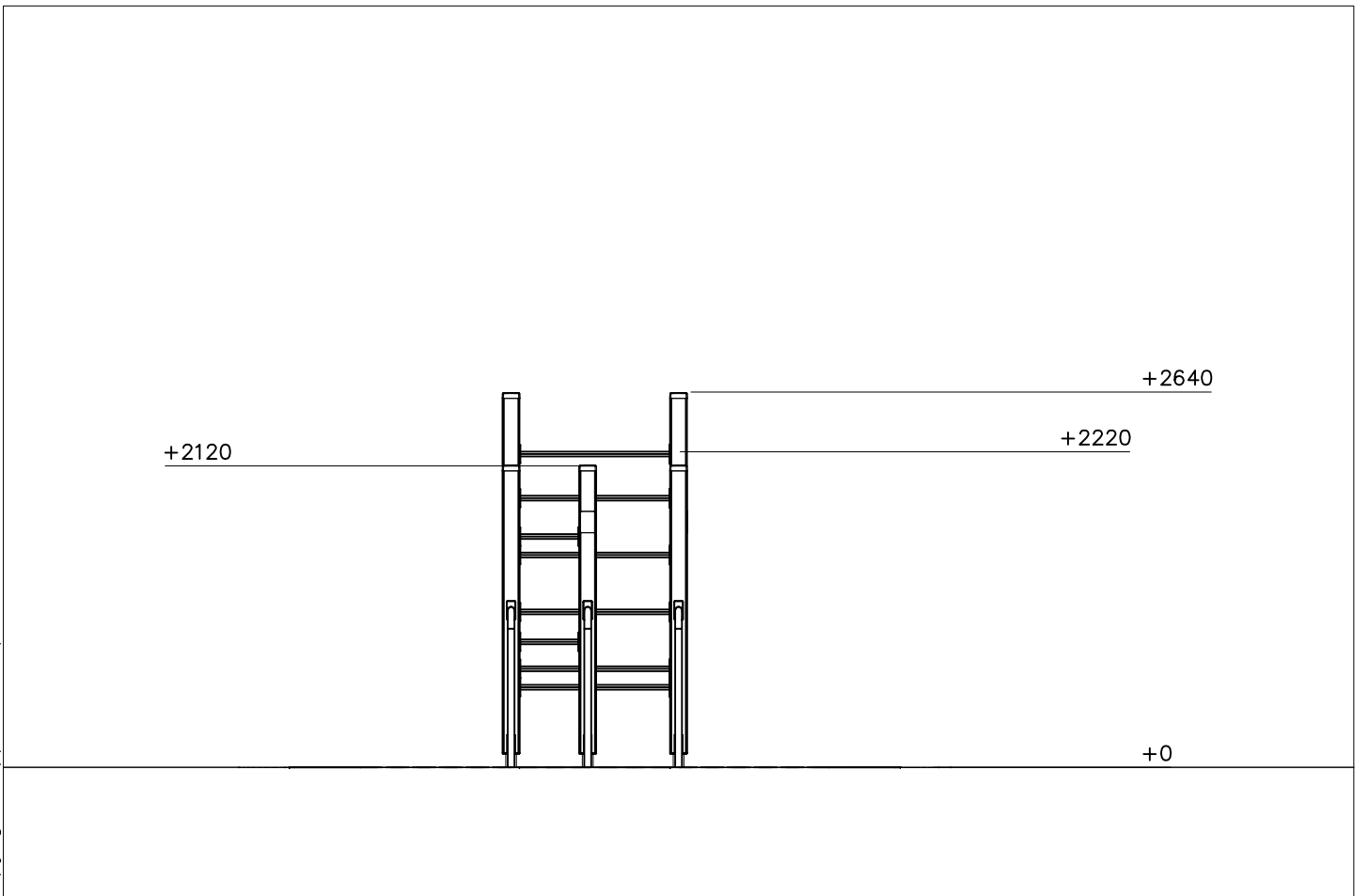
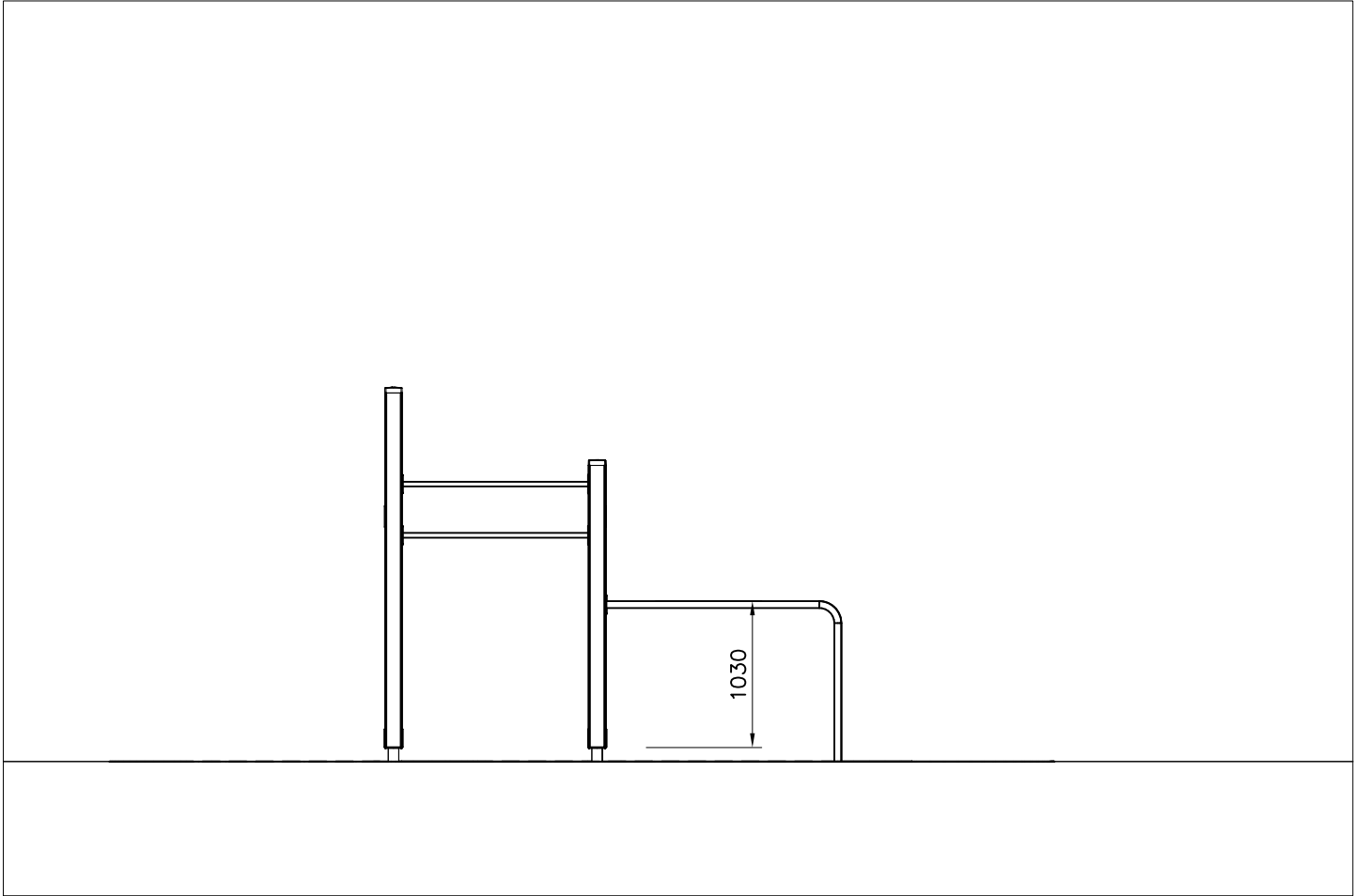
— EN/AS Impact Area / Area of movement 28 m<sup>2</sup>  
- - - Training Space Area 17.3 m<sup>2</sup>  
Grid size = 500 mm

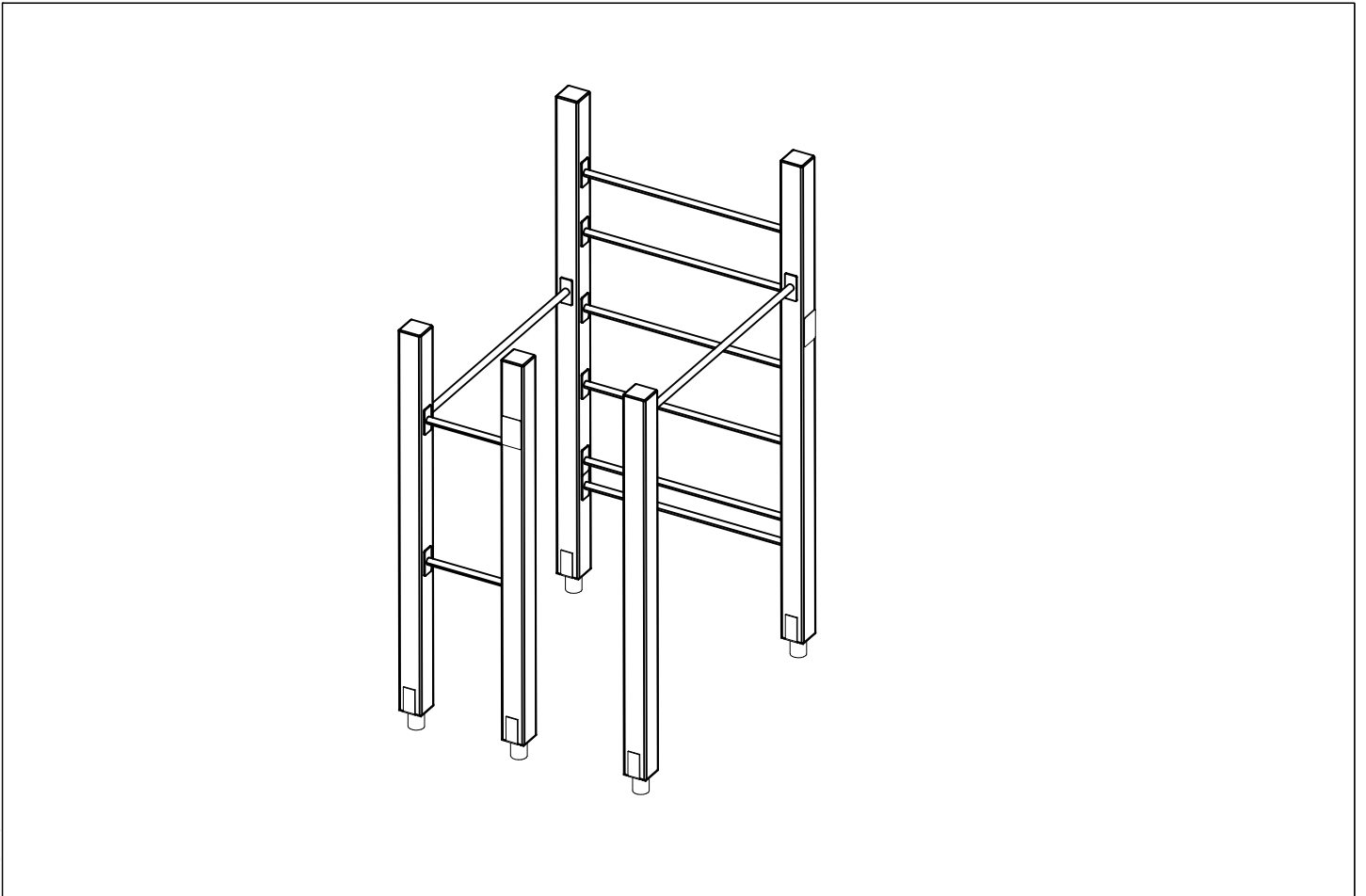
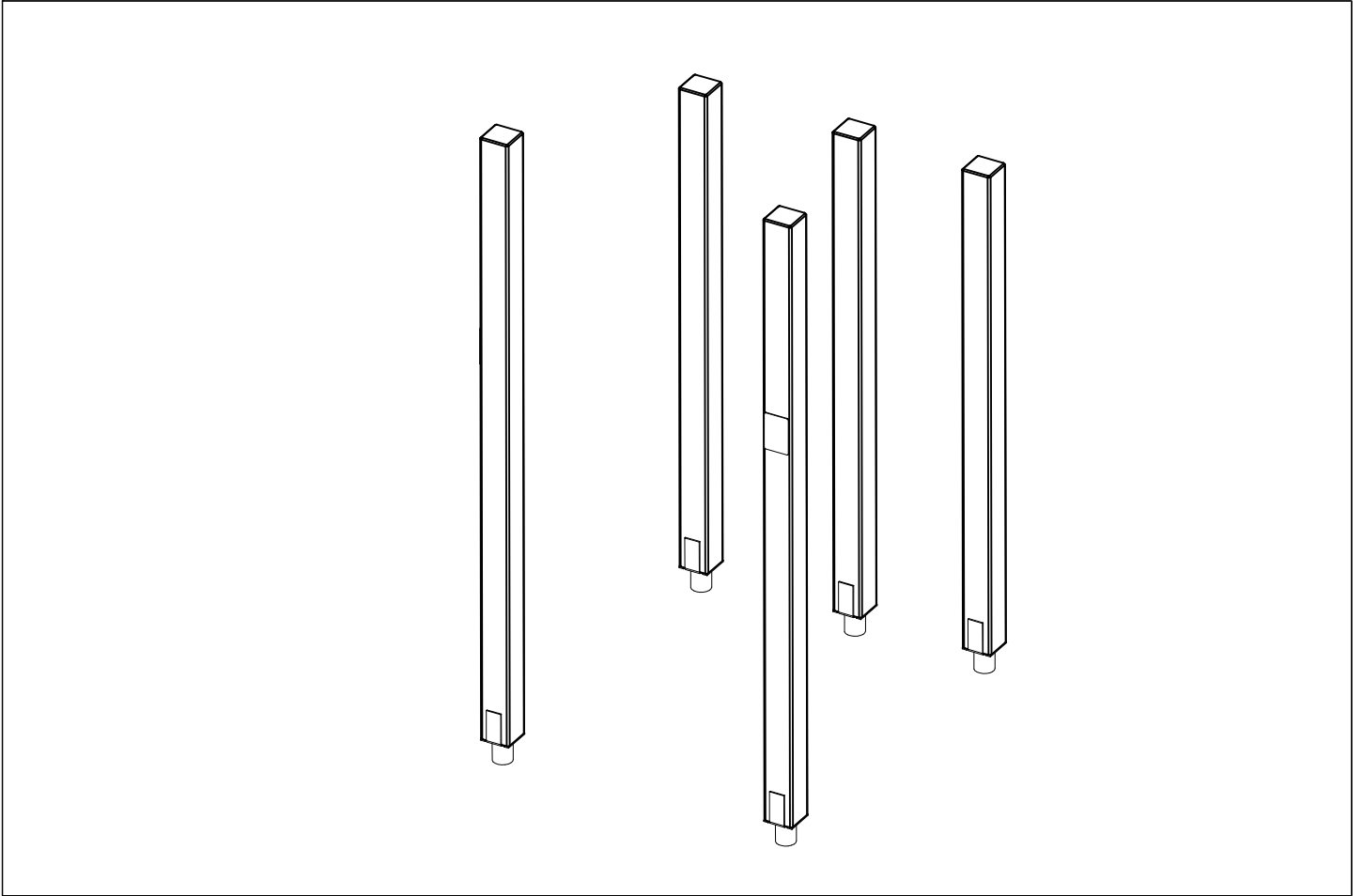


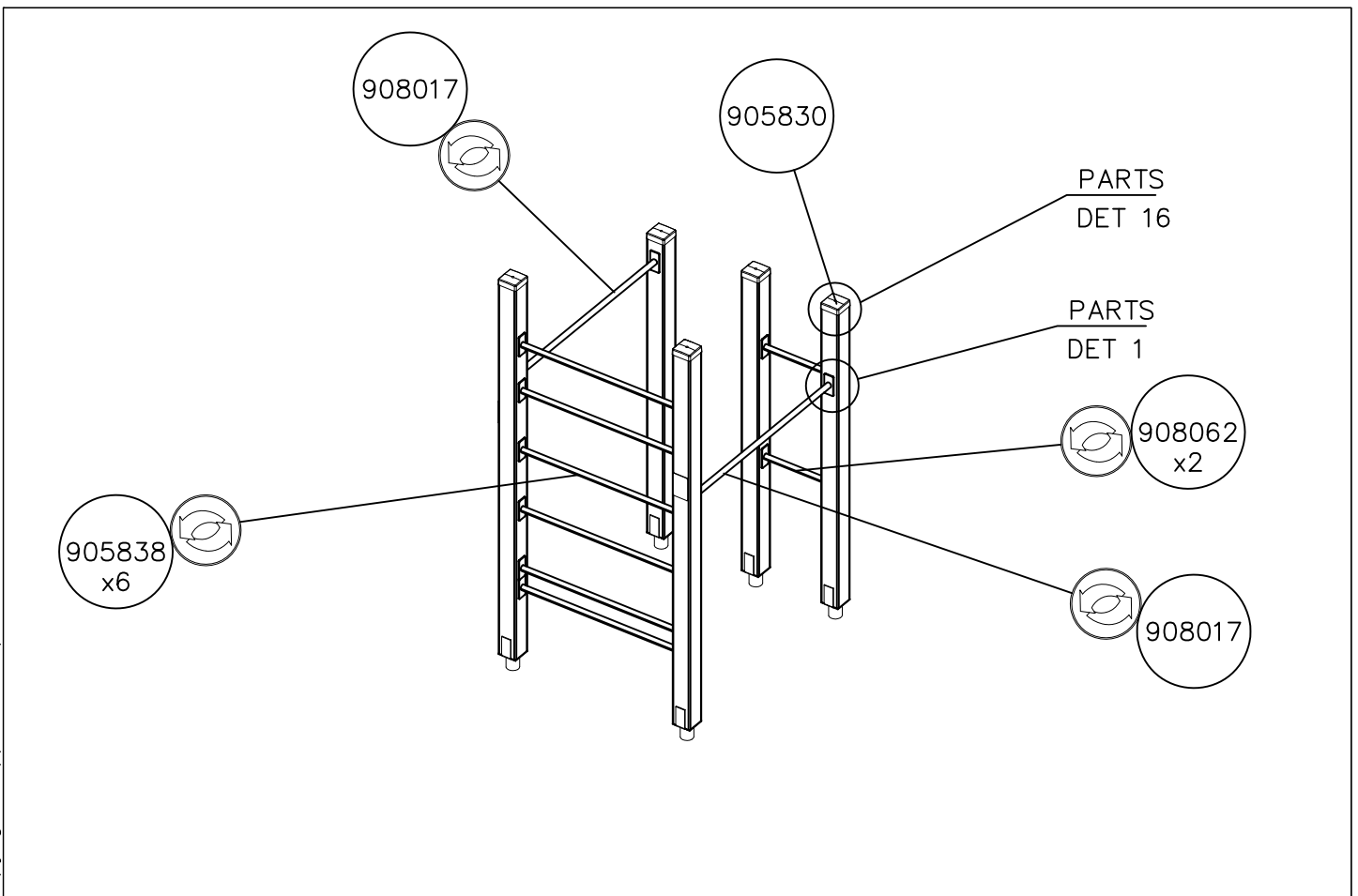
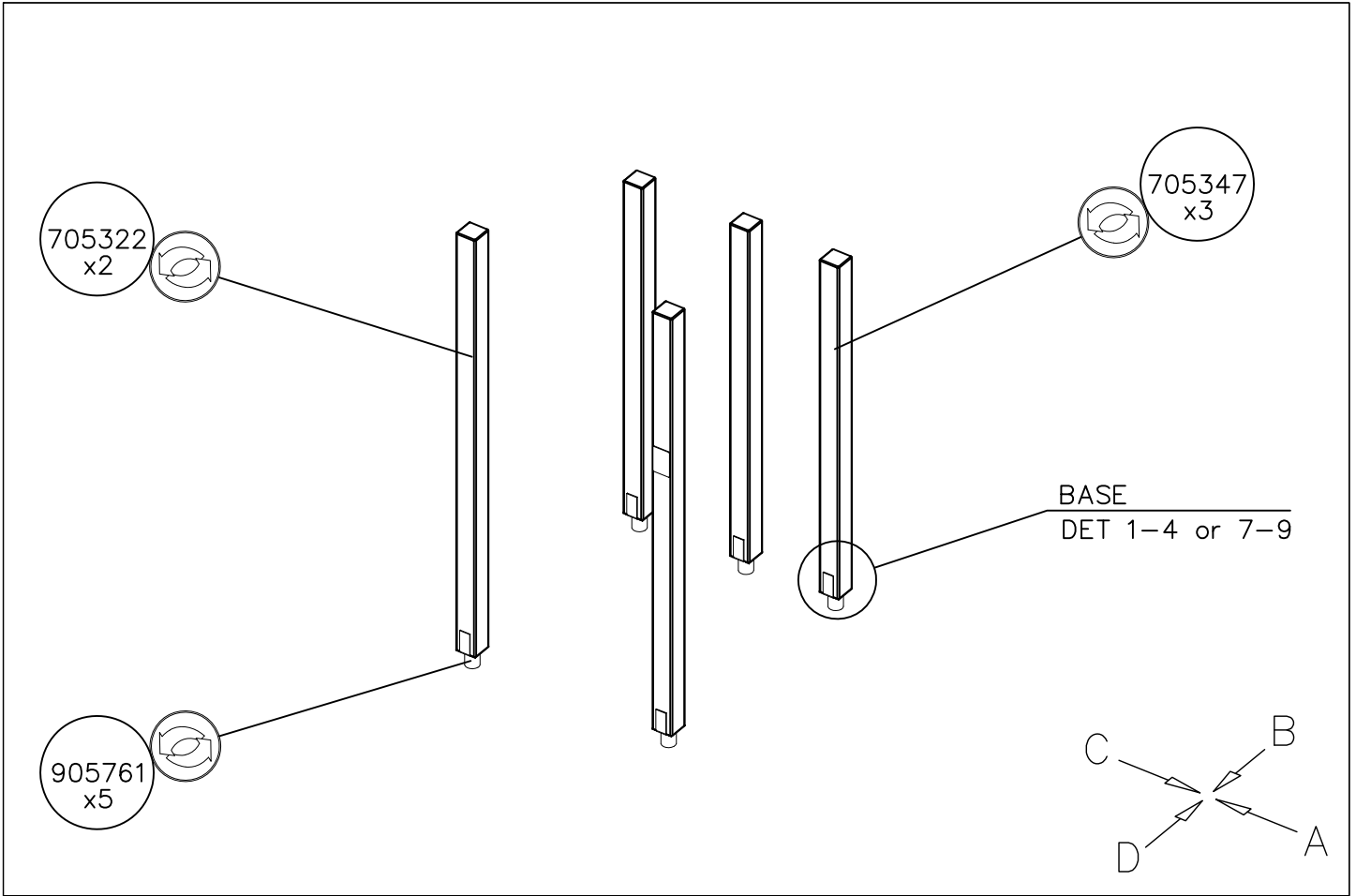
 <p>M10x25</p> <p>Ø20/10.5</p> <p>M10</p> <p>902272</p>	

—— EN/AS Impact Area / Area of movement 28 m<sup>2</sup>  
- - - - Training Space Area 17.3 m<sup>2</sup>  
Max Falling Height 2220 mm







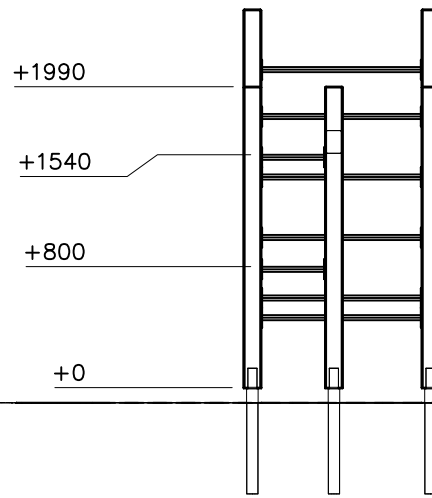
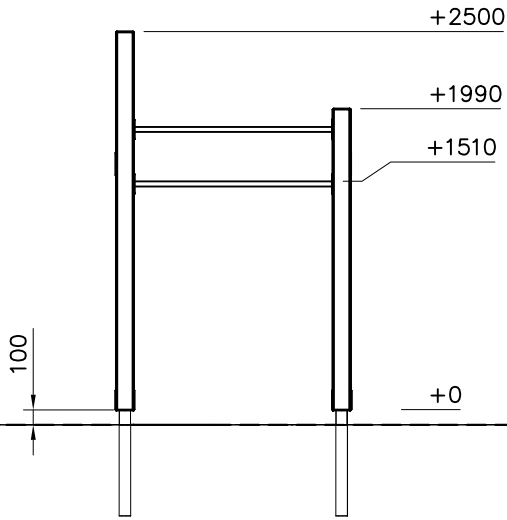


DATE: 23.5.2016

1:50

(A)

(B)



(C)

(D)

