

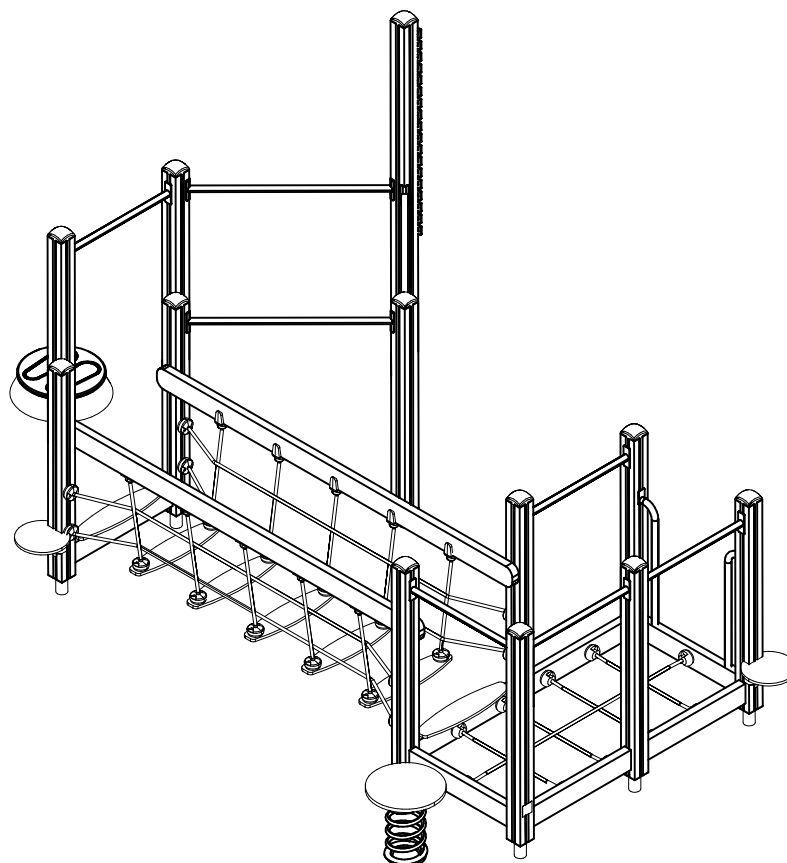
LAPPSET®

SENIOR

ASENNUSOHJE
MONTERINGSANSVISNING
INSTALLATION INSTRUCTION
AUFBAUANLEITUNG
NOTICE D'INSTALLATION

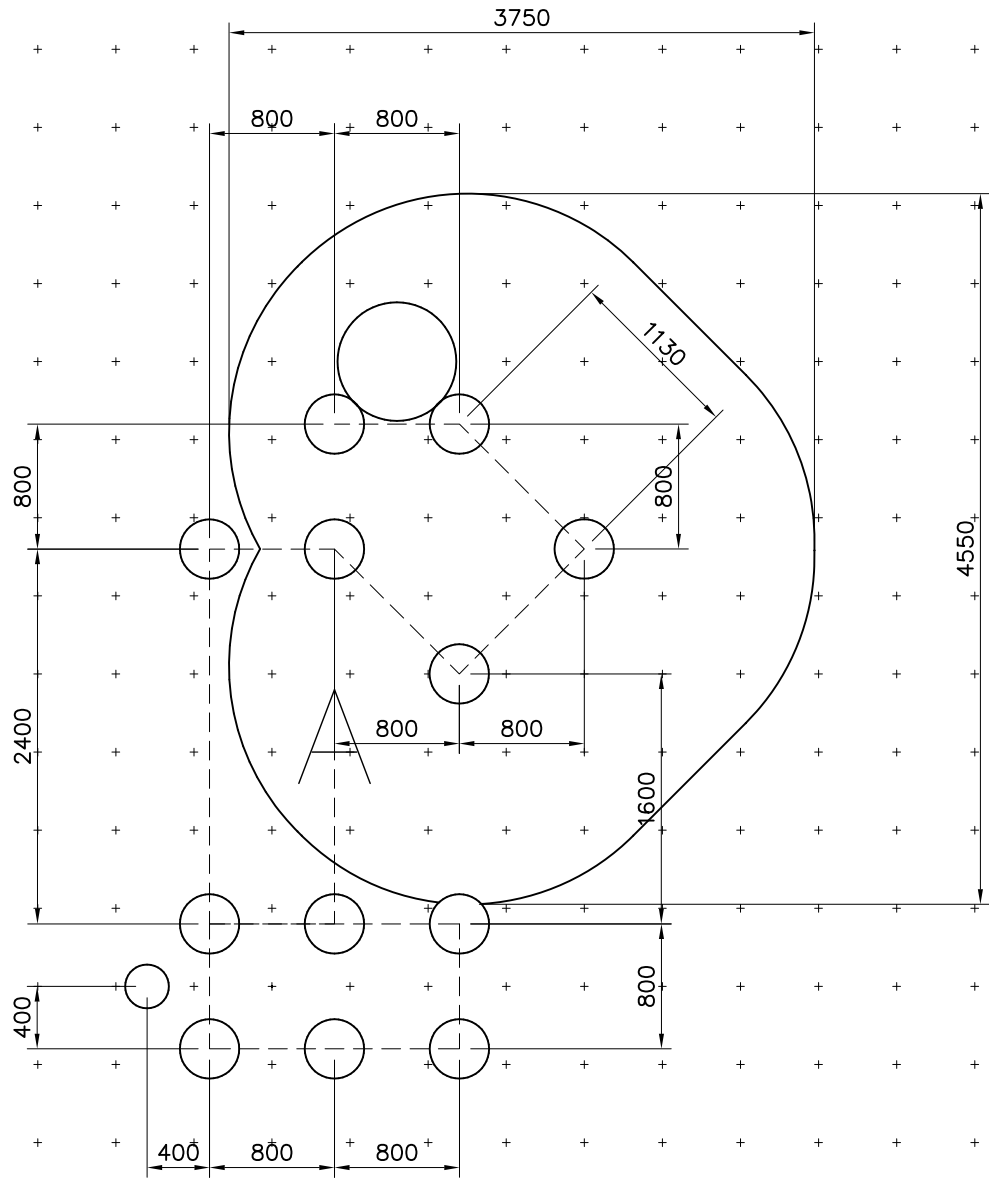
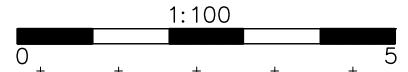
DATE: 6.6.2016

080483M

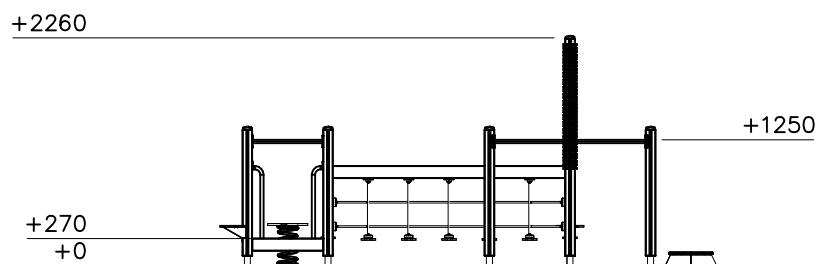
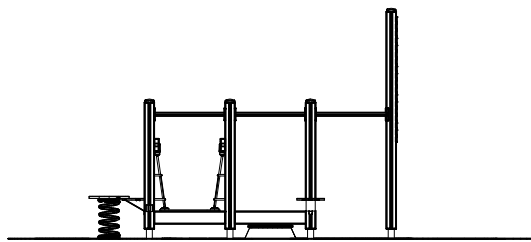
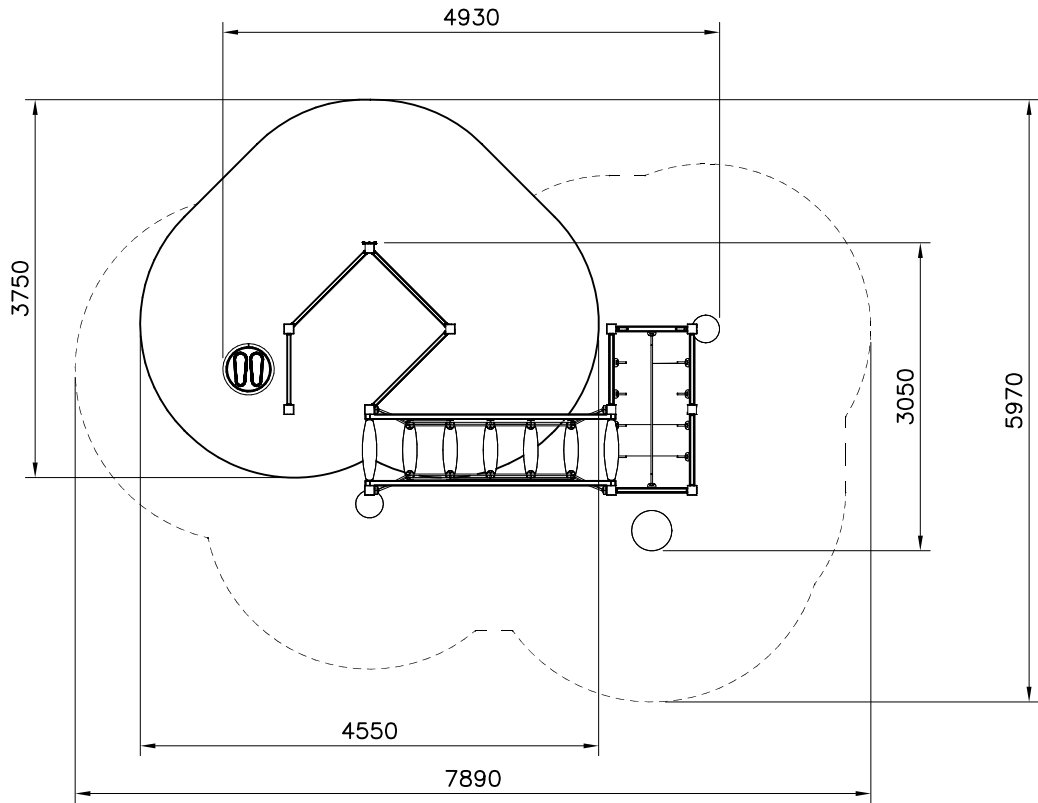
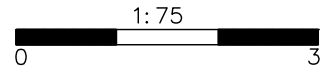


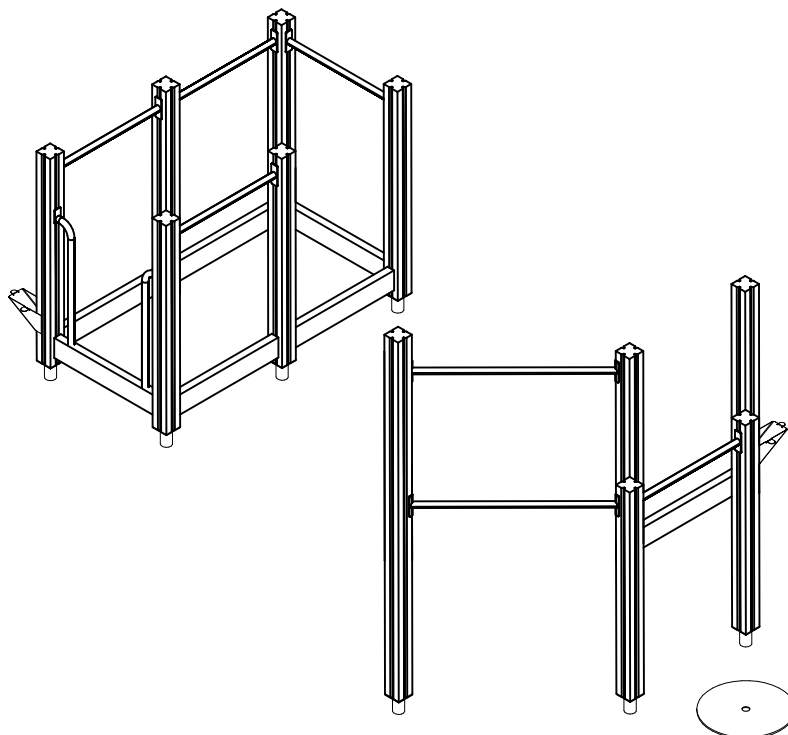
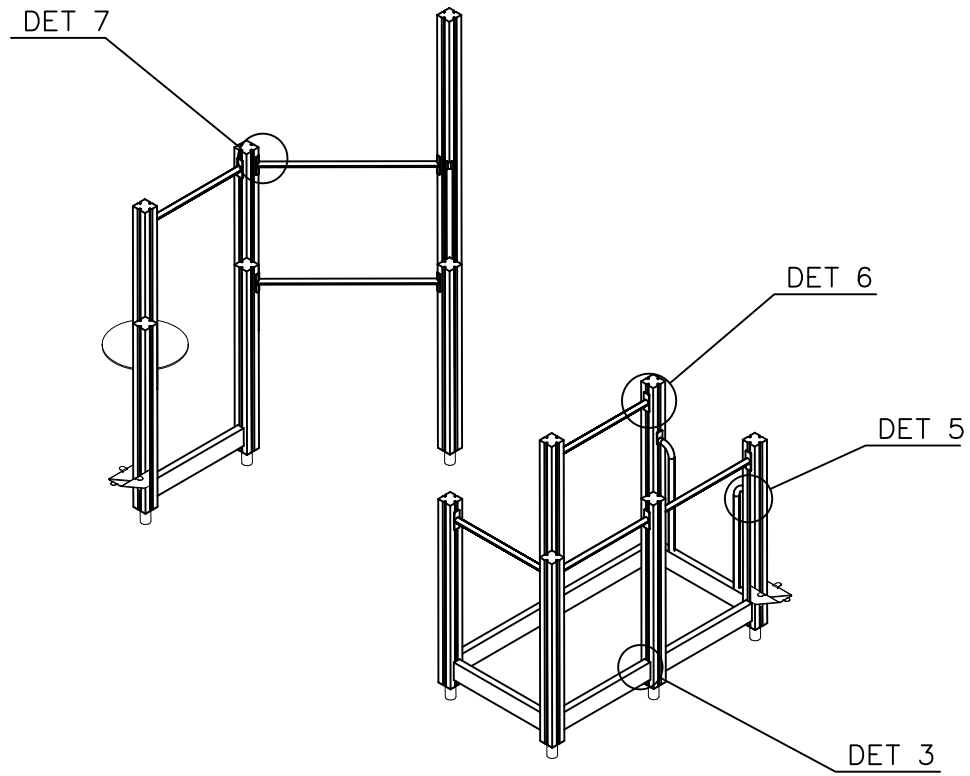
EN/AS Impact Area 13.2 m²

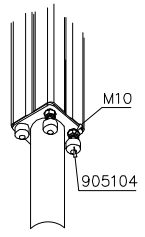
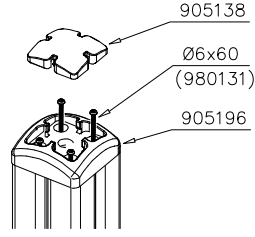
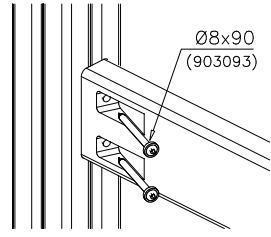
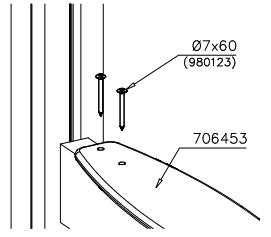
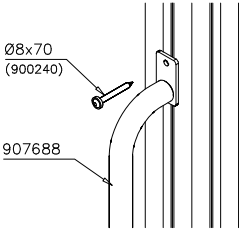
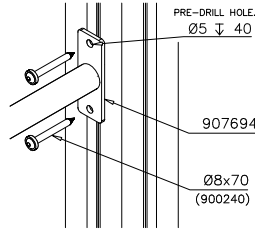
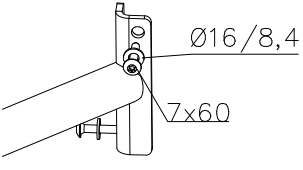
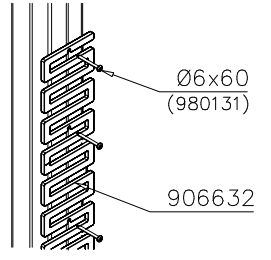
Grod Size 1000 mm



- EN/AS Impact Area 13.2 m²
- - - - Falling Space 34.9 m²
- Max Falling Height 1250 mm





<p>DET 1</p>  <p>M10 905104</p>	<p>DET 2</p>  <p>905138 Ø6x60 (980131) 905196</p>	<p>DET 3</p>  <p>Ø8x90 (903093)</p>	<p>DET 4</p>  <p>Ø7x60 (980123) 706453</p>
<p>DET 5</p>  <p>Ø8x70 (900240) 907688</p>	<p>DET 6</p>  <p>PRE-DRILL HOLE: Ø5 x 40 907694 Ø8x70 (900240)</p>	<p>DET 7</p>  <p>Ø16/8,4 7x60</p>	<p>DET 8</p>  <p>Ø6x60 (980131) 906632</p>
<p>DET 9</p>	<p>DET 10</p>		

