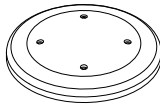
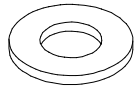
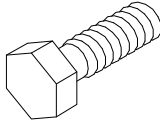
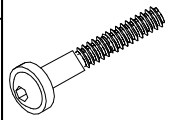

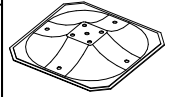

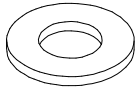
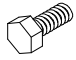
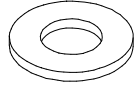

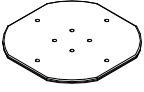
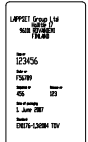
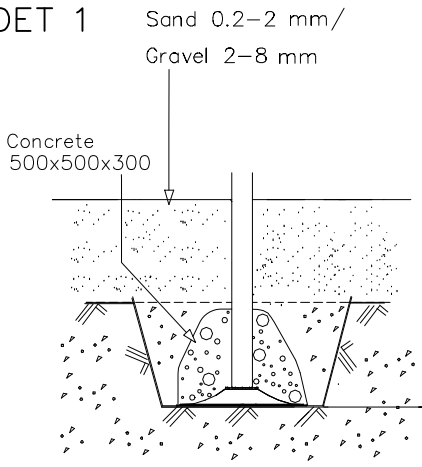


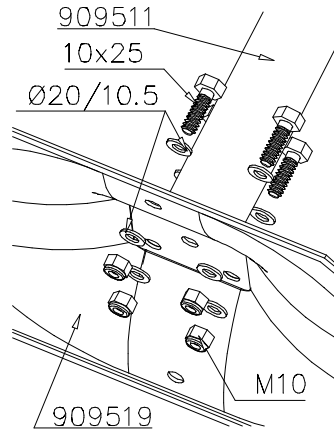
① 900733	PCS	② 903236	PCS
	1		4
Ø450x85		Ø30/10.5x2.5	
③ 906500	PCS	④ 909117	PCS
	4		4
M10x40		M8x100	
⑤ 909511	PCS	⑥ 909519	PCS
	1		1
90x90x650		50x380x380	
⑦ 909637	PCS	⑧ 909638	PCS
	8		16
M10		Ø20/10.5	
⑨ 909639	PCS	⑩ 909256	PCS
	4		4
M10x25		Ø16/8.4	
⑪ 980160	PCS	⑫ P01759	PCS
	4		1
M8		340x340x10	
⑬ 702341	PCS		PCS
	4		
90x50			
	PCS		PCS

Step can be installed in different heights between 100 and 300 mm.

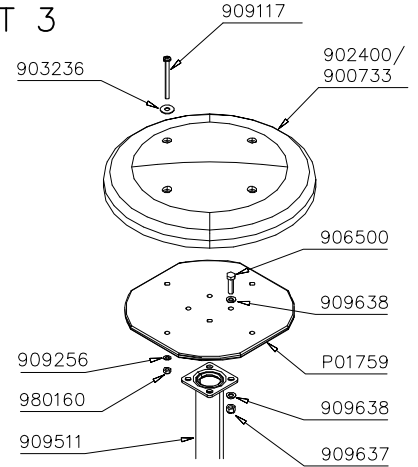
DET 1



DET 2



DET 3



----- Falling Space 9.4 m²
Max Falling Height 300 mm

