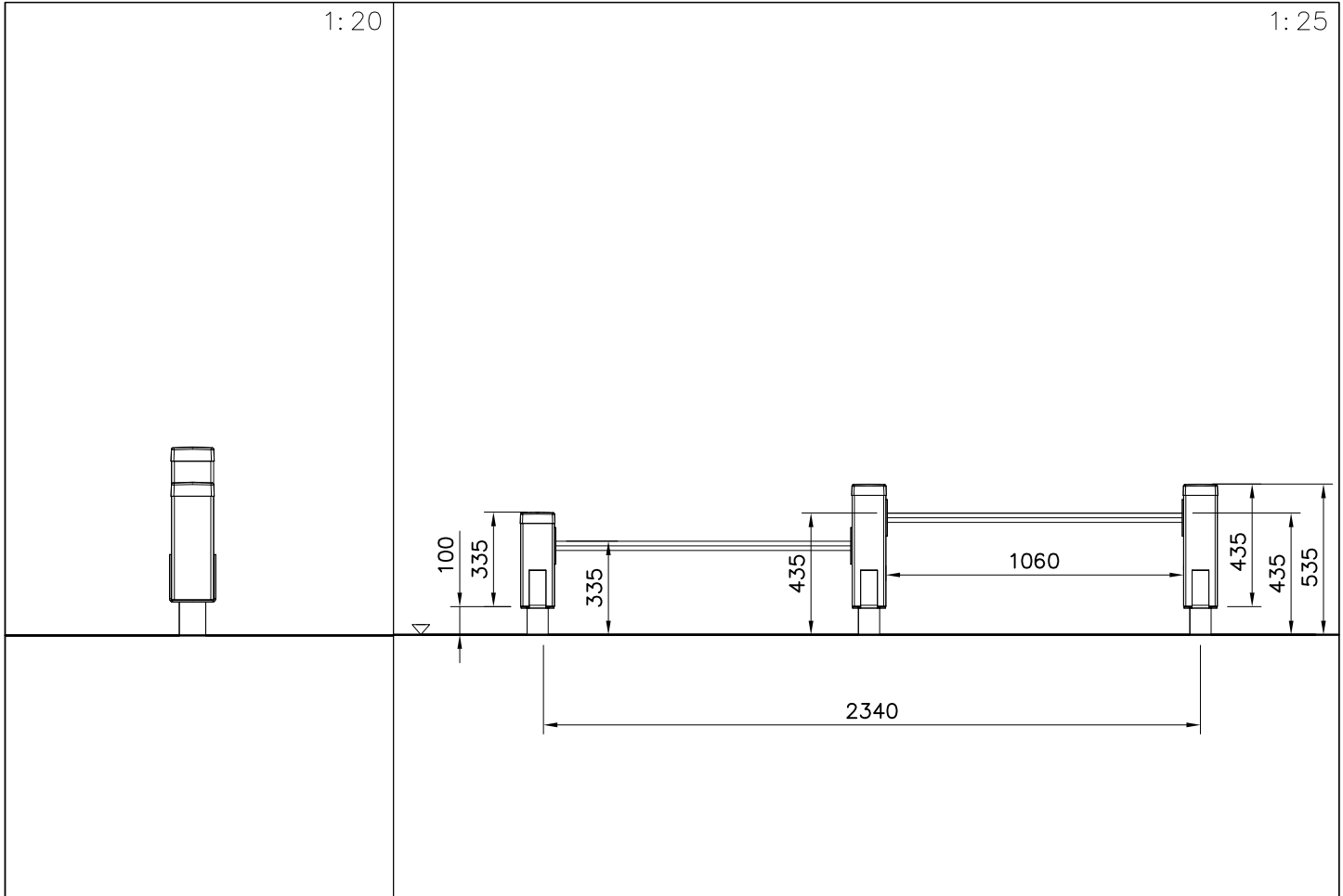


| | | | | | |
|---|-------------|-----|---|-------------|-----|
| ① | 706025 | PCS | ② | 705348 | PCS |
| | | 1 | | | 1 |
| | | | | 120x120x300 | |
| ③ | 705349 | PCS | ④ | 980109 | PCS |
| | | 2 | | | 6 |
| | 120x120x400 | | | Ø4x30 | |
| ⑤ | 980123 | PCS | ⑥ | 905104 | PCS |
| | | 28 | | | 12 |
| | Ø7x60 | | | M10 | |
| ⑦ | 905761 | PCS | ⑧ | 905830 | PCS |
| | | 3 | | | 3 |
| | 120x120x700 | | | 123x123x40 | |
| ⑨ | 905838 | PCS | ⑩ | 980104 | PCS |
| | | 2 | | | 3 |
| | L=1060 | | | Ø5x90 | |
| ⑪ | 909256 | PCS | | | PCS |
| | | 28 | | | |
| | Ø16/8.4 | | | | |
| | | PCS | | | PCS |
| | | | | | |
| | | PCS | | | PCS |
| | | | | | |



Area of Movement 16.2 m²
Training Space 10.5m²
Max Falling Height 435 mm

1: 40

