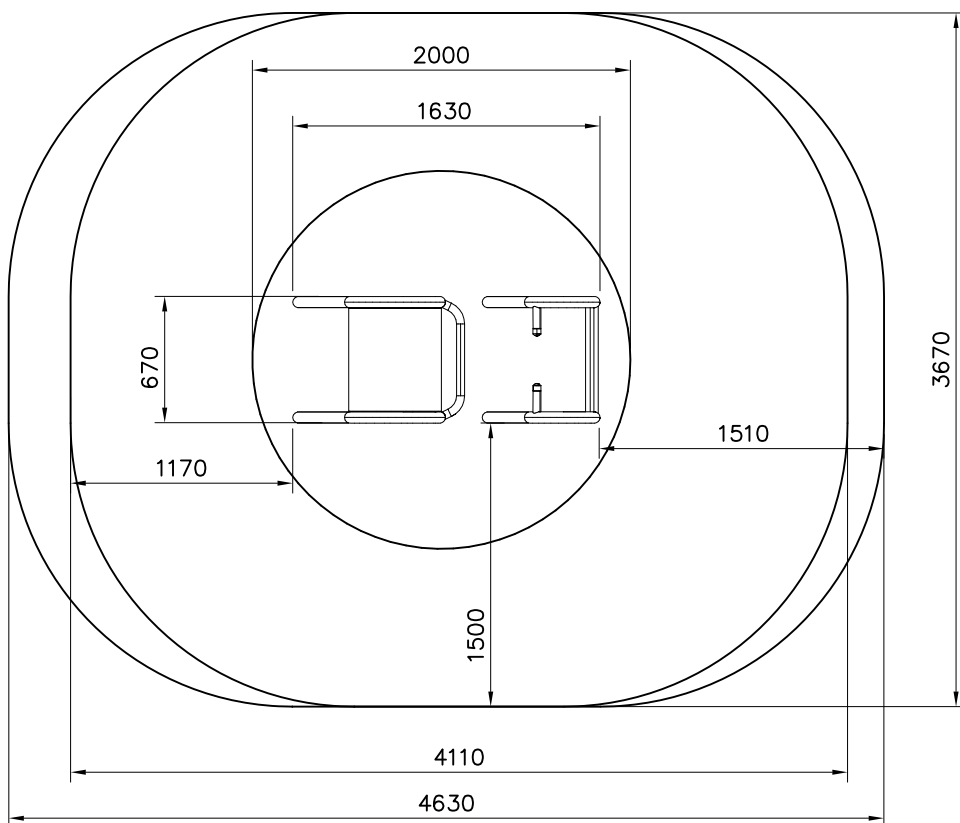
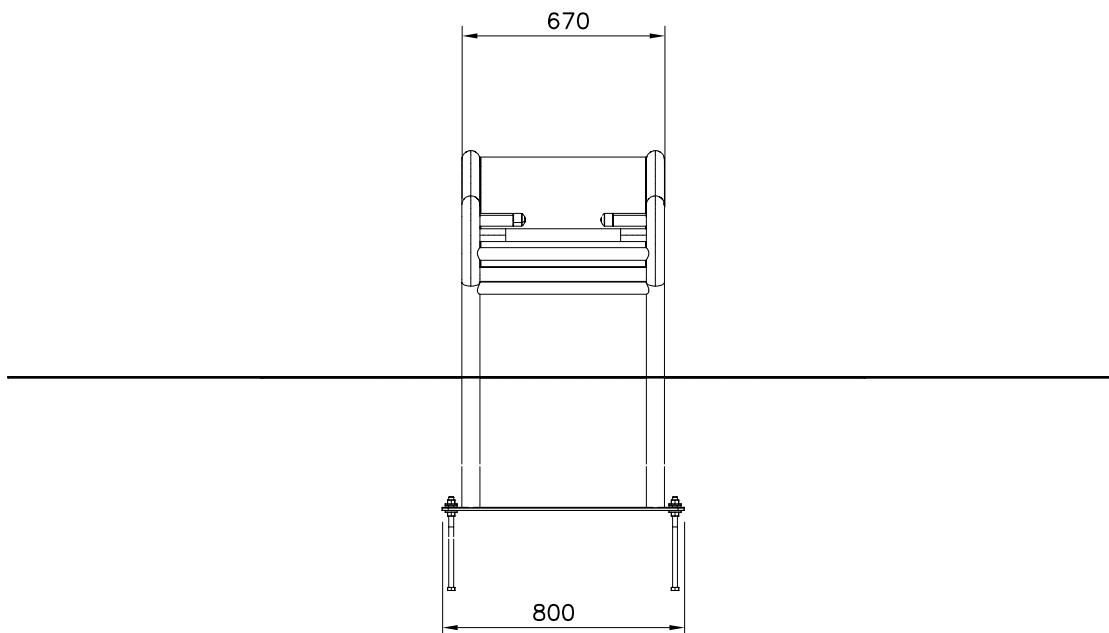
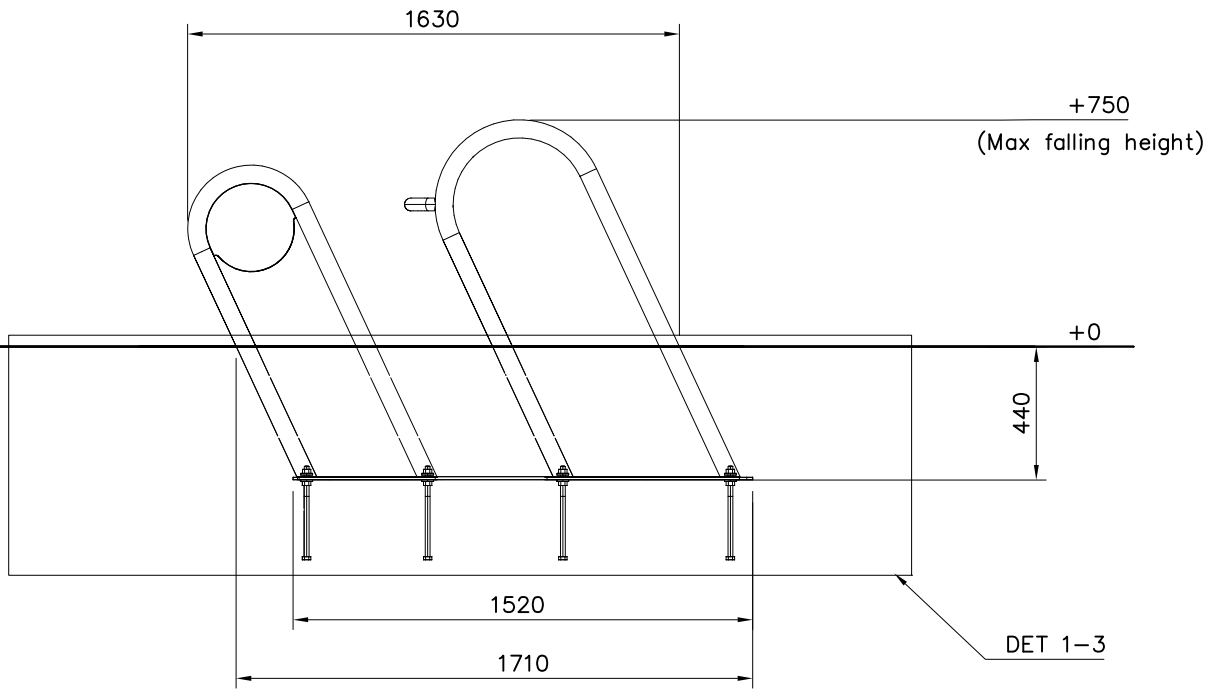


Area of Movement 15.1 m²
 Impact Area 13.2 m²
 Training Space 3.1 m²
 Max Falling Height 750 mm

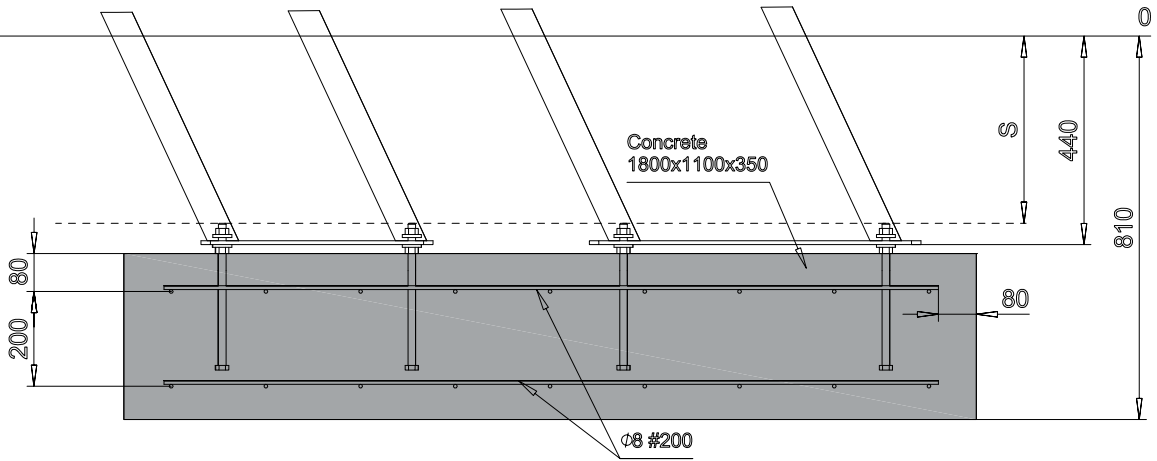
1:40



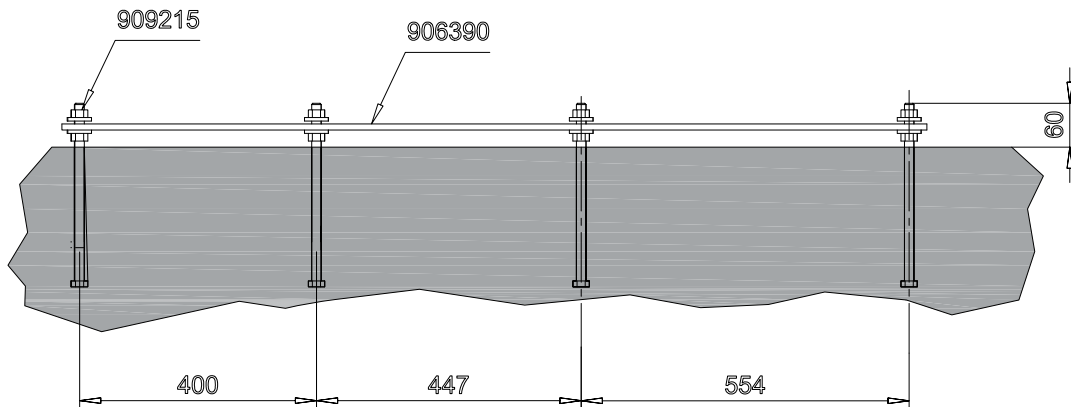
① 906384	PCS	② 909215	PCS
	1	 M16x300	8
③ 906390	PCS	④ 907190	PCS
 800x1461	1		1
	PCS		PCS
	PCS		PCS
	PCS		PCS
	PCS		PCS
	PCS		PCS
	PCS		PCS



DET 1



DET 2



DET 3

