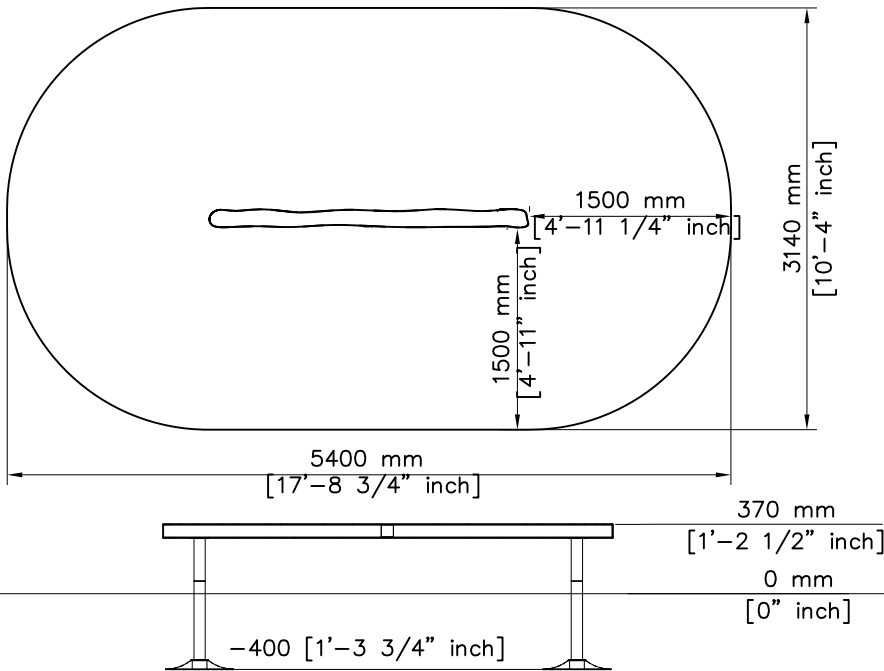
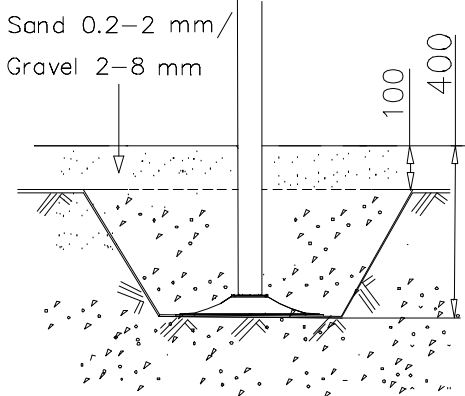


— EN Impact Area 15.1 m²
 - - - Falling Space 15.1 m²
 Max Falling Height 370 mm

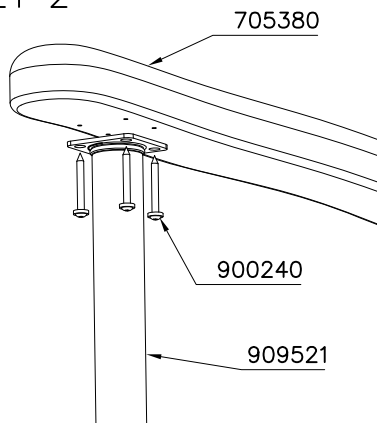


① 705380	PCS	② 900240	PCS
	1		8
70x145x2400		Ø8x70	
③ 909521	PCS	④ 702286	PCS
	2		1
⑤ 902487	PCS	⑥ 909506	PCS
	1		4
65x65x0.4		Ø3.5x13	
	PCS		PCS
	PCS		PCS
	PCS		PCS

DET 1



DET 2



DET 3

