

# **LAPPSET®**

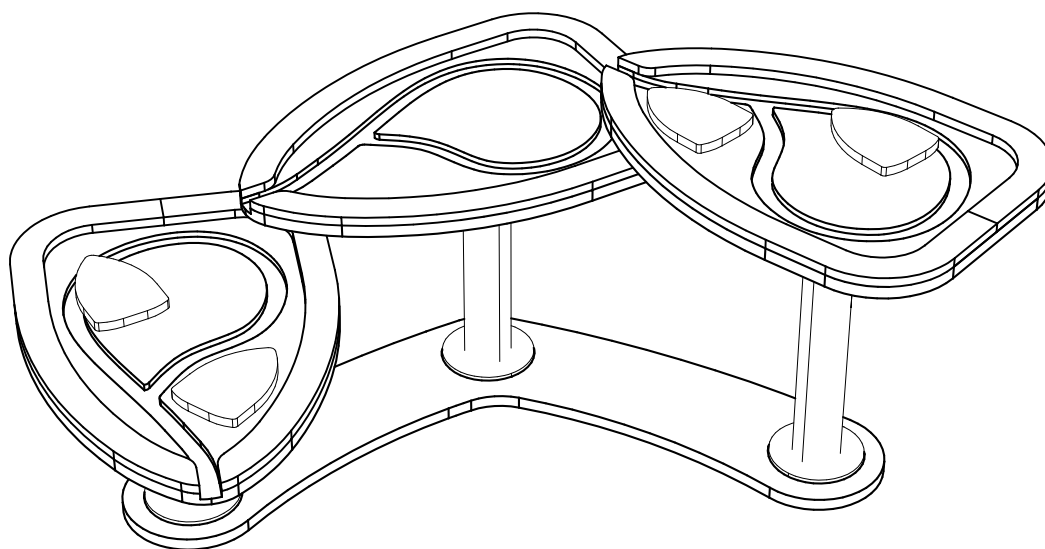
## **MINI FINNO**

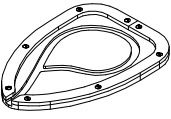

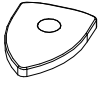
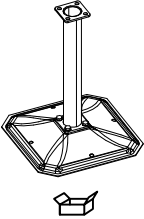
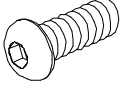
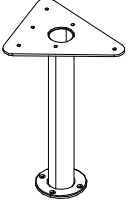
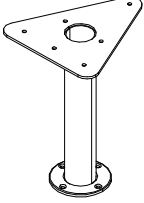
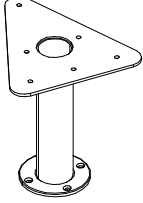

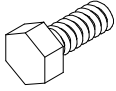

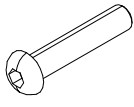
ASENNUSOHJE  
MONTERINGSANSVISNING  
INSTALLATION INSTRUCTION  
AUFBAUANLEITUNG  
NOTICE D'INSTALLATION

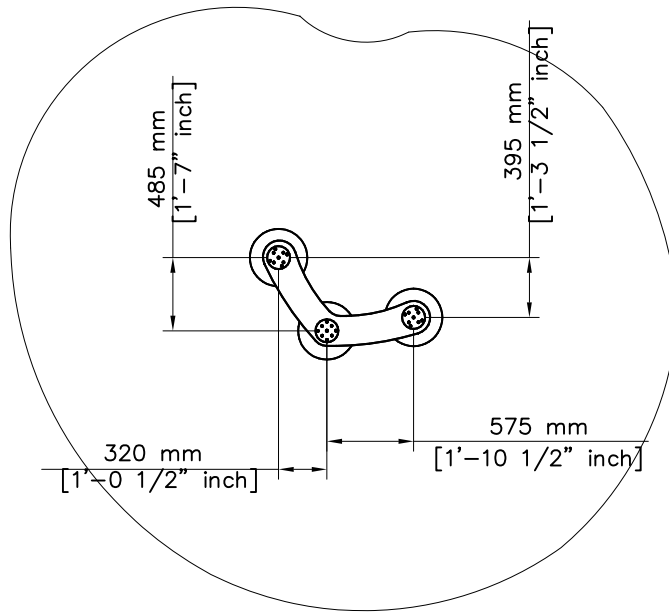
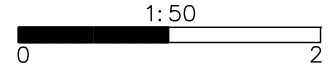
REF: 104333M

DATE: 6.2.2013

### **104333M**

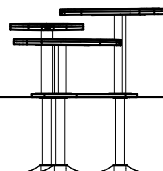
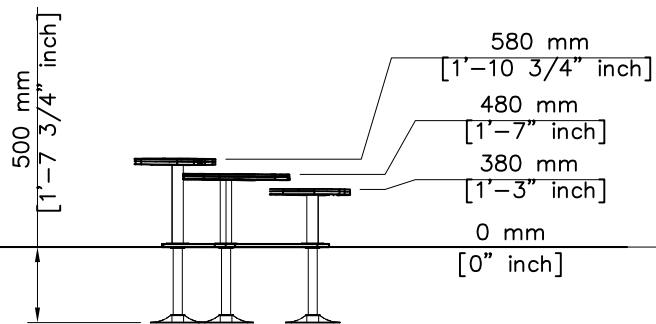
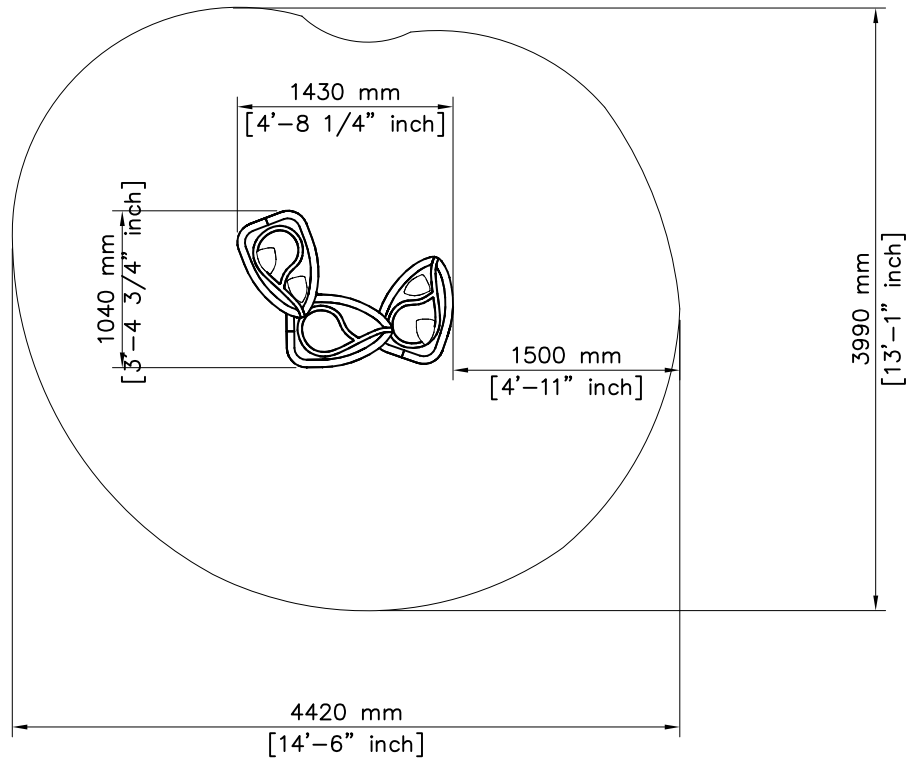
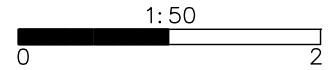


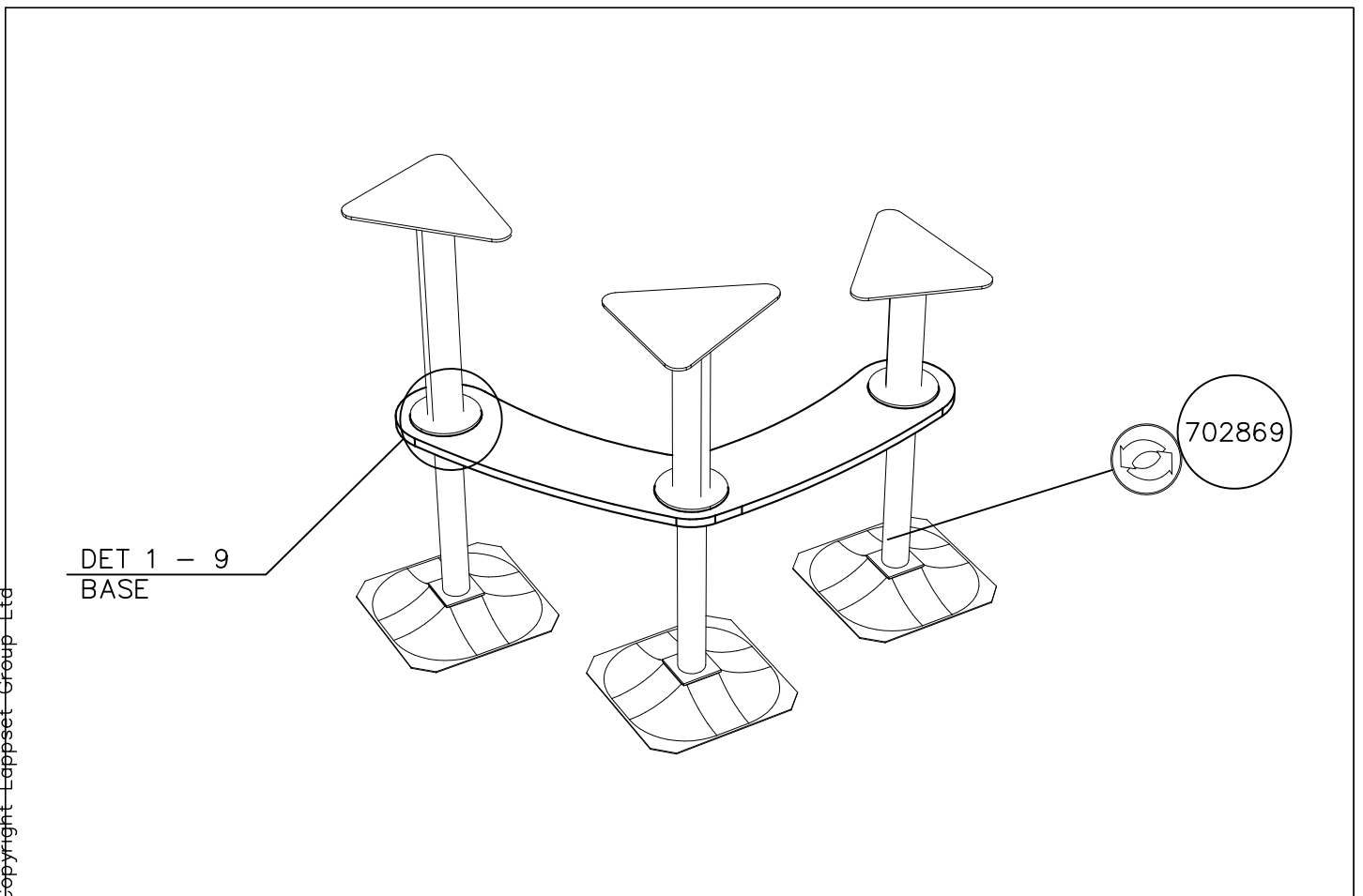
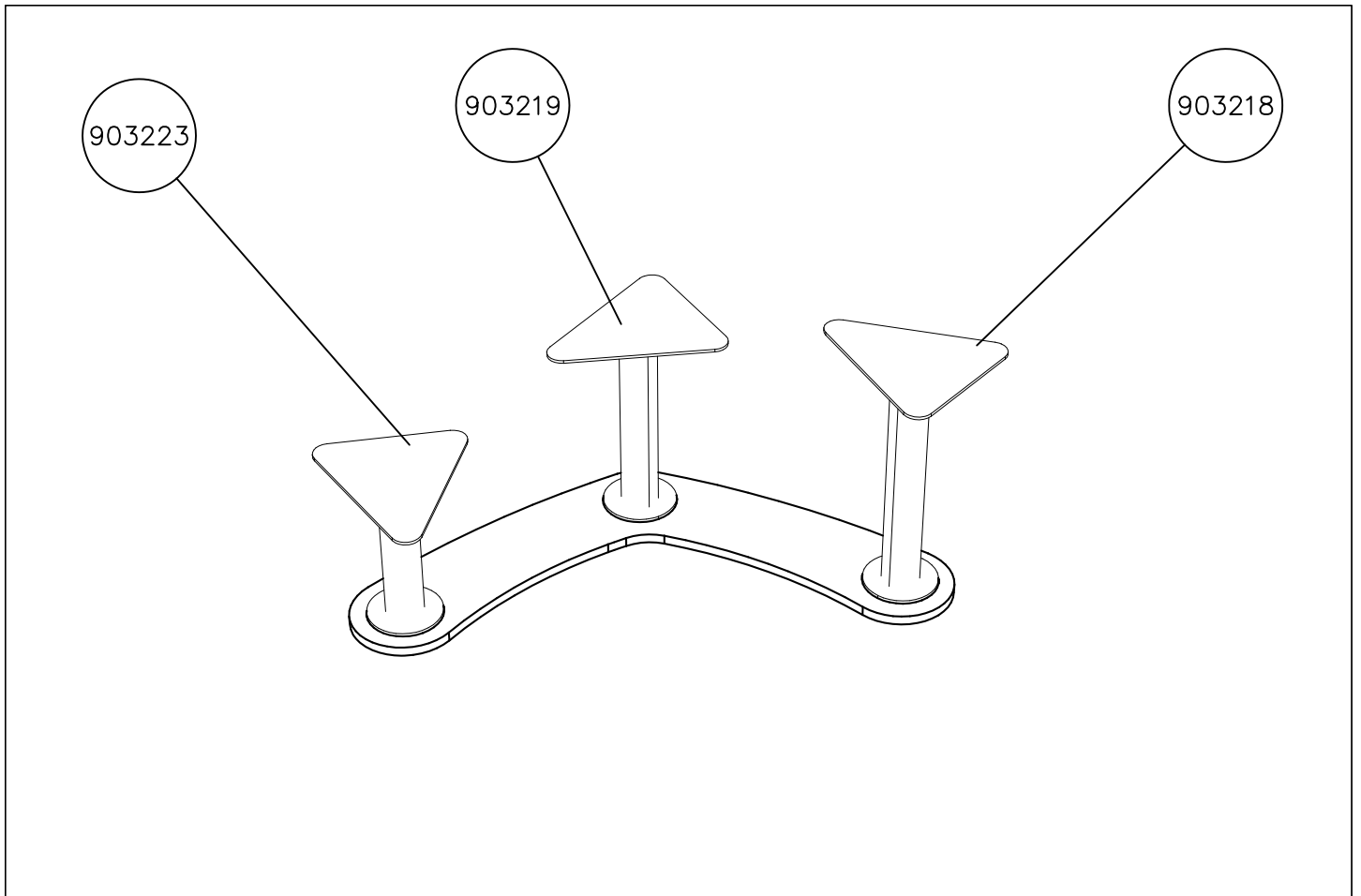
702630 	PCS 3	702704 	PCS 1	702709 	PCS 4	702869 	PCS 3	900342 	PCS 18	903218 	PCS 1
								M8x16		580	
903219 	PCS 1	903223 	PCS 1	909256 	PCS 18	909639 	PCS 12	903330 	PCS 4	901093 	PCS 4
480		380		Ø16/8.4x1.6		M10x25				M6x30 A2	
	PCS		PCS		PCS		PCS		PCS		PCS
	PCS		PCS		PCS		PCS		PCS		PCS
	PCS		PCS		PCS		PCS		PCS		PCS
	PCS		PCS		PCS		PCS		PCS		PCS



<p>DET 1</p>	<p>DET 2</p>	<p>DET 3</p>
<p>DET 4</p>	<p>DET 5</p>	<p>DET 6</p>
<p>DET 7</p>	<p>DET 8</p>	<p>DET 9</p>
<p>DET 10</p>	<p>DET 11</p>	<p>DET 12</p>

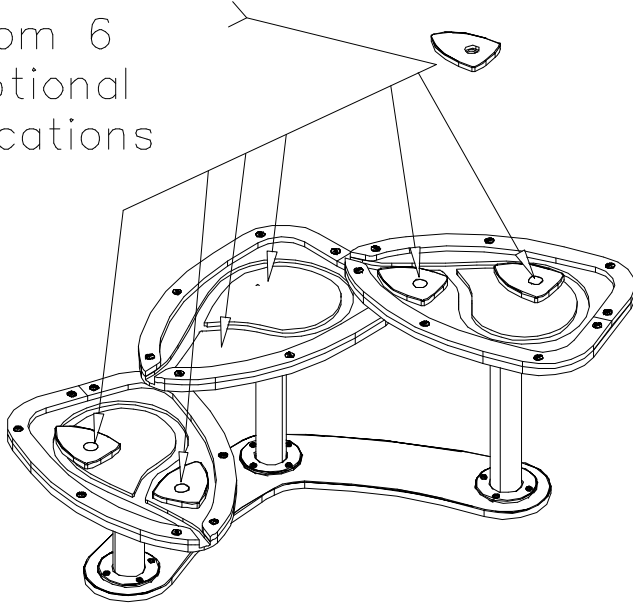
AS Impact Area 13.9 m<sup>2</sup> (150 sq ft)





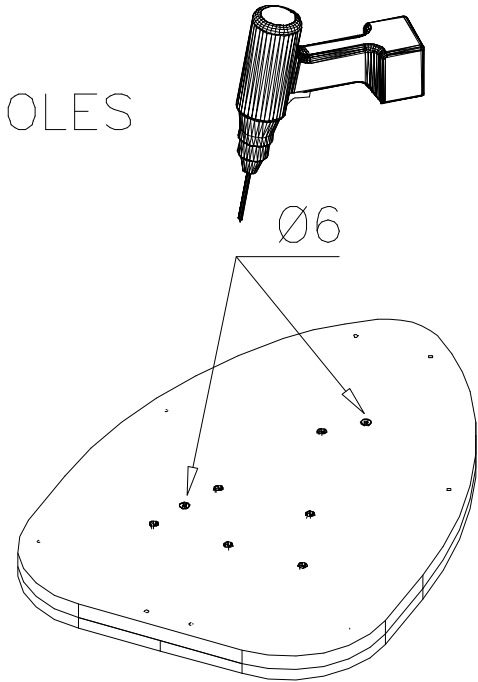
DET 1

Choose 4  
 from 6  
 optional  
 locations

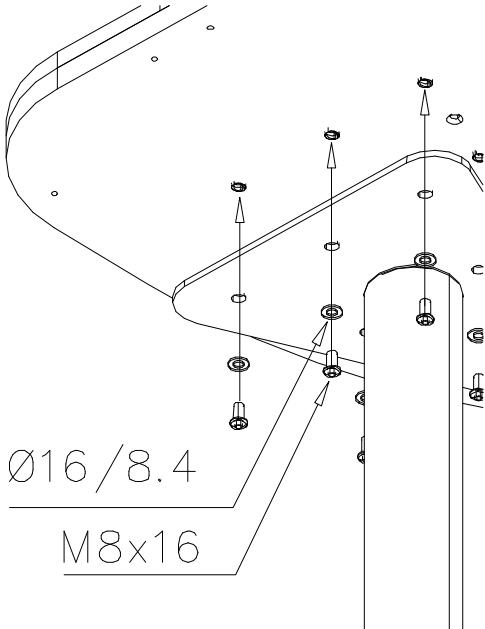


DET 2

HOLES



DET 3



DET 4

